

ASi-5 Bus Termination



(Figure similar)

The ASi cable allows you to create junctions at any point in the system effortlessly and without problems. The topology is thus freely selectable, e.g. tree, ring, star or linear.

The Bihl+Wiedemann diagnostics software (BW2902, BW2916) enables the installation to be checked for any errors during the acceptance of systems. If the diagnostics software detects disturbing reflexions on an ASi-5 node, an ASi-5 bus termination (BWU4705) should be used.

It is possible to use an ASi-3 bus termination (BWU1644) and an ASi-5 bus termination (BWU4705) in combination.

When using ASi-5 nodes, Bihl+Wiedemann recommends connecting an ASi-5 bus termination to the end of the longest branch.

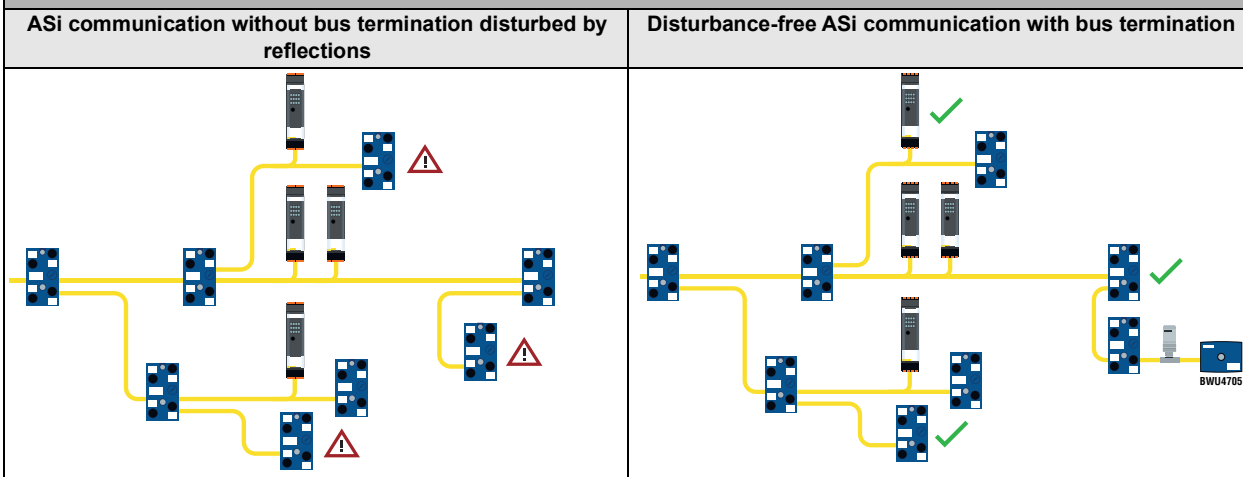
One ASi-5 bus termination is usually sufficient. If the diagnostics software still detects reflexions after fitting the first ASi-5 bus termination, connecting another ASi-5 bus termination to the next smaller branch is recommended. This is to be continued until the diagnostics software no longer detects any reflexions.

Article No.	BWU4705
Connection	
Profile cable connection	1 x ASi profile cable and piercing
Rated operating voltage	10 ... 32 V _{DC} PELV
Rated operating current	15 mA
Display	
LED U ASi high (green)	ASi voltage > 26 V
LED U ASi low (yellow)	ASi voltage > 18.5 V
Environment	
Applied standards	EN 60529 EN 61000-6-2 EN 61000-6-3
Operating altitude	max. 2000 m
Ambient temperature	-30 °C ... +70 °C
Storage temperature	-25 °C ... +85 °C
Housing	Plastic, screw mounting, suitable for cable duct (installation depth ≥19 mm)
Pollution degree	2
Protection category	IP67 ⁽¹⁾
Tolerable loading referring to humidity	according to EN61131-2
Maximum tolerable shock and vibration stress	≤15g, T≤11 ms 10 ... 55 Hz, 0.5 mm amplitude
Voltage of insulation	≥500 V
Weight	75 g
Dimensions (B / H / T) in mm	60 / 45 / 19

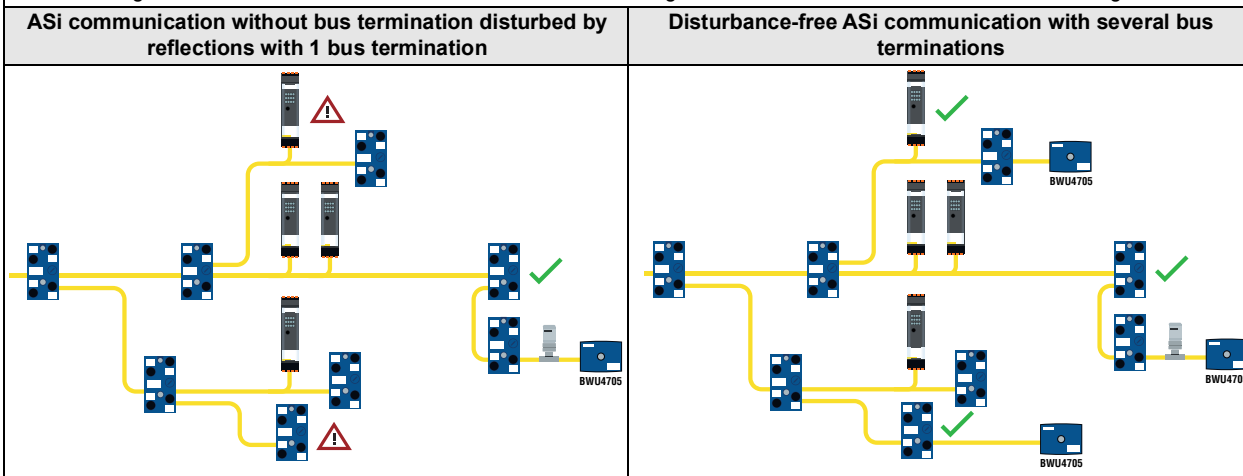
⁽¹⁾ Protection category IP67 can only be achieved, if also the cable connector fulfills IP67.

UL-specifications (UL508) BWU4705	
External protection	An isolated source with a secondary open circuit voltage of $\leq 30 V_{DC}$ with a 3 A maximum over current protection. Over current protection is not required when a Class 2 source is employed.
In general	UL mark does not provide UL certification for any functional safety rating or aspects of the above devices.

Installation recommendation:



- The ASi-3 bus termination (BWU1644) should always be installed at the point of the ASi circuit which is furthest away from the ASi gateway or the ASi power supply unit.
- When using ASi-5 nodes, Bihl+Wiedemann recommends connecting an ASi-5 bus termination to the end of the longest branch.



- One ASi-5 bus termination is usually sufficient. If the diagnostics software still detects reflexions after fitting the first ASi-5 bus termination, connecting another ASi-5 bus termination to the next smaller branch is recommended. This is to be continued until the diagnostics software no longer detects any reflexions.

Line termination with sealing profile

