

## connections for profile cables for 1 x ASi + 1 x AUX

- to M12 cable sockets

with self-resetting fuse



(figure similar)

Figure	Profile cable connection	Connection <sup>(1)</sup>	Internal fuse <sup>(2)</sup>	Round cable <sup>(3)</sup>	Flat design, montage in cable duct possible <sup>(4)</sup>	LED status display	Special function	Article no.
	1 x ASi, 1 x AUX	1 x M12 cable socket, straight, 5 poles	1 A, self-resetting	2 m	yes, 19 mm deep	yes	to connect ASi devices via M12	<b>BWU5054</b>

(1) **Connection:** further connection options are available on request.

M12 cable socket, angled	M12 cable socket, straight	M8 cable socket, straight	round cable / connecting wires	profile cable branch
PUR line: oil resistant				

(2) **Internal fuse**

**4 A, changeable:** The internal protection is realized via changeable 4 A fuses (slow-blow) for ASi and AUX. At each M12 connection  $\leq 4$  A are available.

**1 A, self-resetting:** The internal protection is realized via self-resetting 1 A fuses for ASi and AUX. At each M12 connection  $\leq 1$  A are available.

**8 A slow-blow fuse + 1 A, self-resetting:** The internal protection is realized via one 8 A slow-blow fuse for AUX and via one self-resetting 1 A fuse for ASi. At each M8 connection (AUX)  $\leq 6$  A are available, at each M8 connection (ASi)  $\leq 1$  A are available.

**4 A slow-blow fuse + 1 A, self-resetting:** The internal protection is realized via one 4 A slow-blow fuse for AUX and via one self-resetting 1 A fuse for ASi. At each M8 connection (AUX)  $\leq 4$  A are available, at each M8 connection (ASi)  $\leq 1$  A are available.

(3) **Cable:** other cable lengths are available on request.

Under normal conditions (no bus termination or repeater), the permissible total length of the **ASi segment is max. 100 m**. The calculation should take into consideration that the length of the connection cable (**round cable**) for each connected **Passive Distributor** must be **doubled**. In the case of the **Active Distributors** (ASi modules) however only the **one** ASi profile cable is counted.

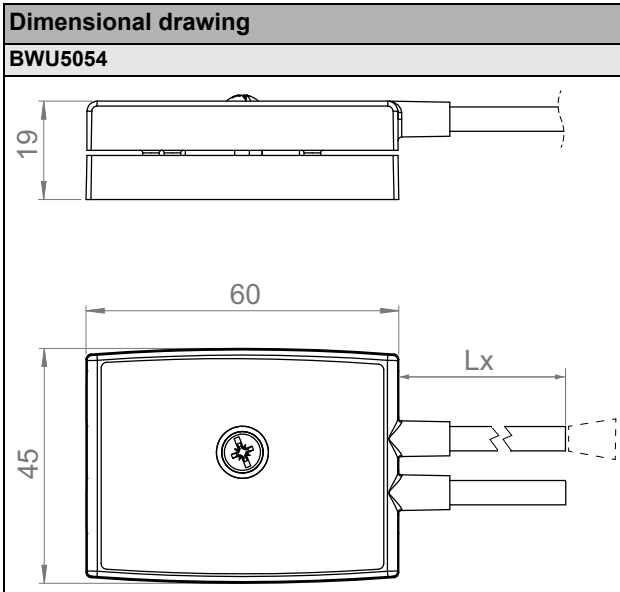
(4) **Flat design, installation in cable duct possible**

Modules with a flat housing design and with cables which exit the sides make these ideal for installation in cable ducts, cable channels, cable troughs, cable rails or cable trays. Please note the respective housing depth for your particular installation.

# Passive Distributor ASi/AUX, IP67

<b>Article No.</b>		<b>BWU5054</b>
<b>Connection</b>		
Profile cable connection		1 x ASi, 1 x AUX, profile cable and piercing technology
Connection		1 x M12 cable socket, straight, 5 poles
Round cable (L in m)		L1 (ASi1/AUX1): 2,0 max. allowed tensile strain 10 N
Operating voltage		10 ... 32 V <sub>DC</sub> PELV
Operating current	up to +30 °C	≤1 A at each M12 connection
	at +40 °C	
	at +50 °C	
Internal fuse		2 x 1 A self-resetting fuses for ASi and AUX for each M12 connection
<b>Display</b>		
LED ASi1, ASi2 (green)		on: ASi voltage at M12 connection 1 O.K.
LED AUX1, AUX2 (green)		on: AUX voltage at M12 connection 1 O.K.
LED ASi (green)		on: ASi voltage at profile cable O.K.
LED AUX (green)		on: AUX voltage at profile cable O.K.
<b>Environment</b>		
Applied standards		EN 60529 EN 61000-6-2 EN 61000-6-3
It can be used with a switched AUX cable, which is passively safe up to SIL3/PLe		no <sup>(1)</sup>
Operating altitude		max. 2000 m
Ambient temperature		-30 °C ... +55 °C <sup>(2)</sup>
Storage temperature		-25 °C ... +85 °C
Housing		plastic, for screw mounting, suitable for cable ducts (installation depth ≥19 mm)
Pollution Degree		2
Protection category		IP67
Tolerable loading referring to humidity		according to EN 61131-2
Maximum tolerable shock and vibration stress		≤15g, T≤11 ms 10 ... 55 Hz, 0,5 mm amplitude
Insulation voltage		≥500 V
Weight		75 g
Dimensions (W / H / D) in mm		60 / 45 / 19

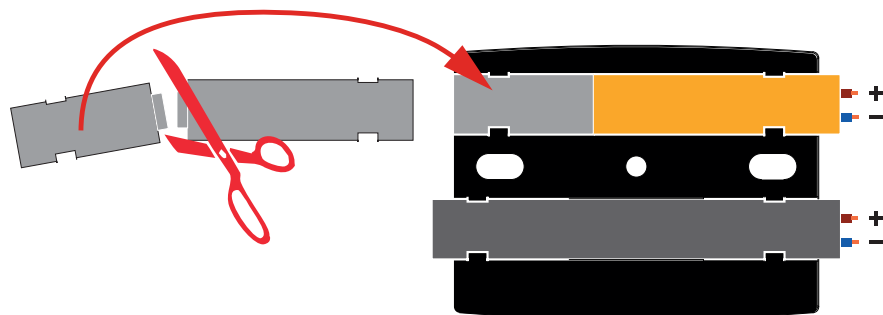
- <sup>(1)</sup> The passiv distributor is not suitable for use in paths with a passively safe-switched AUX cable, since an exclusion of errors cannot be assumed for the connection of the two ASi and AUX potentials.  
If the passiv distributor is supplied from an unswitched AUX cable, this has no influence on the safety consideration for the paths with passively safe-switched AUX cable. In an ASi circuit, paths supplied from a passively safe-switched AUX cable and paths supplied from unswitched AUX potential can be used together.
- <sup>(2)</sup> Down to -25 °C with flexibly mounted cable, -30 °C only with fixed mounted cable.



**Connections: M12**

Article No.	M12 connection	Pin1	Pin2	Pin3	Pin4	Pin5
BWU5054	X1	ASi +	AUX -	ASi -	AUX +	n.c.

### Line termination with sealing profile



### Accessories:

- Sealing profile IP67 (IDC plug), 60 mm (article no. BW3282)