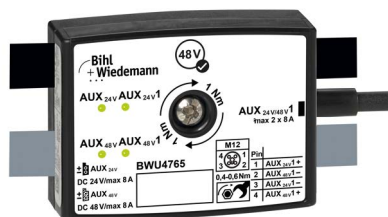


Passive Distributor AUX

Connections for 2 x AUX profile cables
to M12 power cable socket, straight, T-coded

1 x 8 A slow-blow fuse for AUX 24 V +
1 x 8 A slow-blow fuse for AUX 48 V



(figure similar)



Figure	Type	Flat design, montage in cable duct possible ⁽¹⁾	Internal fuse ⁽²⁾	Profile cable connection	Connection ⁽³⁾	Round cable ⁽⁴⁾	Protection category	Article no.
	IP67, 25 mm deep	yes, 25 mm deep	2 x 8 A slow blow fuses	2 x AUX (galvanically separated)	1 x M12 power cable socket, straight, T-coded, 4 poles	1 m	IP67	BWU4765

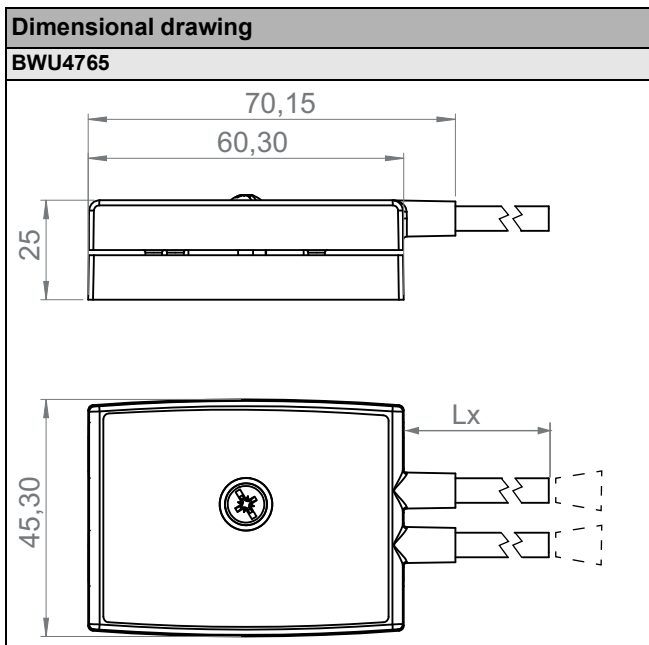
- (1) **Flat design, installation in cable duct possible**
Modules with a flat housing design and with cables which exit the sides make these ideal for installation in cable ducts, cable channels, cable troughs, cable rails or cable trays. Please note the respective housing depth for your particular installation.
- (2) **Internal fuse**
2 x 8 A slow-blow fuses: The internal protection is realized via 8 A slow-blow fuses for AUX 24 V and AUX 48 V.
- (3) **Connection:** further connection options are available on request.
- (4) **Cable:** other cable lengths are available on request.

Article No.	BWU4765
Connection	
Profile cable connection	2 x AUX (galvanically separated) profile cable and piercing technology
Connection	1 x M12 power cable plug, straight, T coded, 4 poles
Round cable	1 m max. allowed tensile strain 10 N
Operating voltage	AUX _{24 V} : 24 V _{DC} (10 ... 32 V _{DC}) PELV AUX _{48 V} : 48 V _{DC} (33 ... 52 V _{DC}) PELV
Operating current	profile cable, piercing technology AUX _{24 V} ≤ 8 A, AUX _{48 V} ≤ 8 A ≤ 8 A for AUX _{24 V} per M12 connection ≤ 8 A for AUX _{48 V} per M12 connection
Internal fuse	1 x 8 A slow-blow fuse for AUX _{24 V} + 1 x 8 A slow-blow fuse for AUX _{48 V}
Visualisation	
LED AUX _{24 V} (green)	on: AUX tension at profile cable AUX _{24 V} O.K.
LED AUX _{48 V} (green)	on: AUX tension at profile cable AUX _{48 V} O.K.
LED AUX _{24 V} 1 (green)	on: tension AUX _{24 V} at connection 1 O.K.
LED AUX _{48 V} 1 (green)	on: tension AUX _{48 V} at connection 1 O.K.

Passive Distributor AUX, IP67, T-coded

Article No.	BWU4765
Environment	
Applied standards	EN 60529 EN 61000-6-2 EN 61000-6-3
Operating altitude	max. 2000 m
Ambient temperature	-30 °C ... +70 °C (1)
Storage temperature	-25 °C ... +85 °C
Housing	plastic, for screw mounting, suitable for cable ducts (depth ≥25 mm)
Pollution Degree	2
Protection category	IP67
Maximum tolerable shock and vibration stress	≤15g, T≤11 ms 10 ... 55 Hz, 0,5 mm Amplitude
Insulation voltage	≥500 V
Weight	75 g
Dimensions (W / H / D) in mm	60 / 45 / 25

(1) Down to -25 °C with flexibly mounted cable, -30 °C only with fixed mounted cable.



Connections: M12 power cable socket, straight, T-coded						
Article No.	M12 connection	Pin1 (BN)	Pin2 (WH)	Pin3 (BU)	Pin4 (BK)	
BWU4765	X1 (1)	AUX 24 V1+	AUX 48 V 1-	AUX 24 V 1-	AUX 48 V1+	

(1) To use the maximum current I_{max} all 4 pins must be contacted.

Accessories:

- Sealing profile IP67 (IDC plug), 60 mm (article no. BW3282)
- ASI profile cable (black) for additional auxiliary power, wire section 1,5 mm² (art. no. BW1980, BW2757)
- ASI profile cable (black) for additional auxiliary power, wire section 2,5 mm² (art. no. BW3169)