

Brake chopper for 48 V motorized rollers

tolerated overvoltage up to 60 V



(figure similar)

Figure	Type	Flat design, montage in cable duct possible ⁽¹⁾	Internal fuse	Profile cable connection	Connection ⁽²⁾	Round cable ⁽³⁾	Special function	Protection category	Article no.
	Brake chopper	yes, 19 mm deep	thermal fuse (overheating protection through clocking)	1 x AUX (48 V)	–	–	Brake chopper for 48 V motorized rollers	IP67	BWU4969

(1) Flat design, installation in cable duct possible

Modules with a flat housing design and with cables which exit the sides make these ideal for installation in cable ducts, cable channels, cable troughs, cable rails or cable trays. Please note the respective housing depth for your particular installation.

(2) Connection: further connection options are available on request.

(3) Cable: other cable lengths are available on request.

Article No.	BWU4969
Connection	
Profile cable connection	1 x AUX (48 V) ⁽¹⁾ profile cable and piercing technology
Connection	–
Round cable	–
Brake Chopper	
Max. Power	102,5 W at 60 V peak power (load resistor 35 Ω) The exact power depends on the voltage ⁽²⁾
Nominal switch-on threshold	54,5 V ⁽³⁾
Operating voltage	48 V _{DC} (33 ... 60V _{DC}) PELV ⁽¹⁾
Max. tolerated overvoltage due to retroaction (AUX)	60 V
Operating current	20 mA
Internal fuse	thermal fuse (overheating protection through clocking) ⁽⁴⁾
Visualization	
LED AUX (green)	on: AUX voltage on profile cable O.K.
LED CHOPPER (yellow)	on: brake chopper active
Environment	
Applied standards	EN 60529 EN 61000-6-2 EN 61000-6-3
Operating altitude	max. 2000 m
Ambient temperature	-30 °C ... +55 °C ⁽⁵⁾
Storage temperature	-25 °C ... +85 °C
Housing	plastic, for screw mounting, suitable for cable ducts (depth ≥19 mm)
Pollution Degree	2
Protection category	IP67
Maximum tolerable shock and vibration stress	≤15g, T≤11 ms 10 ... 55 Hz, 0,5 mm Amplitude
Insulation voltage	≥500 V
Weight	58 g
Dimensions (W / H / D) in mm	60 / 45 / 19

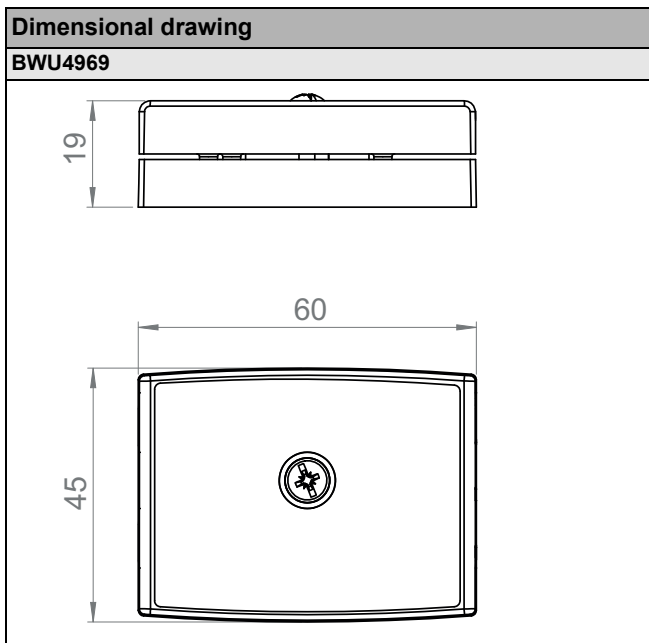
	Notice
	<p>48 V_{DC} must not be connected to: device with 24 V_{DC} operating voltage (see data sheet of the manufacturer) the ASi connection of the device the ASi gateway</p>

(2) The maximum convertible braking energy can be increased by connecting further BWU4969s in parallel.

	Note
	<p>The nominal voltage in regular continuous operation must be below the switch-on threshold.</p>

(4) Duty cycle approx. 3 %, period duration approx. 0.5 s

(5) Down to -25 °C with flexibly mounted cable, -30 °C only with fixed mounted cable.



Connections		
Article No.	connection	
BWU4969	AUX	

Accessories:

- Sealing profile IP67 (IDC plug), 60 mm (article no. BW3282)
- AUX 48 V profile cable, EPDM, gray, 2 wires, 2.5 mm², 100 m (article no. BW4243)