

ASi Substructure Module in IP67

- suitable for mounting on symmetrical DIN profile rail 35 mm, or for wall-mounting
- fixing centres CNOMO compliant

Protection category IP67



(figure similar)



Article no. BWU2349 ASi Substructure Module for 4-channel module in 45 mm-housing

Article no. BWU2350 ASi Substructure Module (CNOMO) for 4-channel module in 45 mm-housing

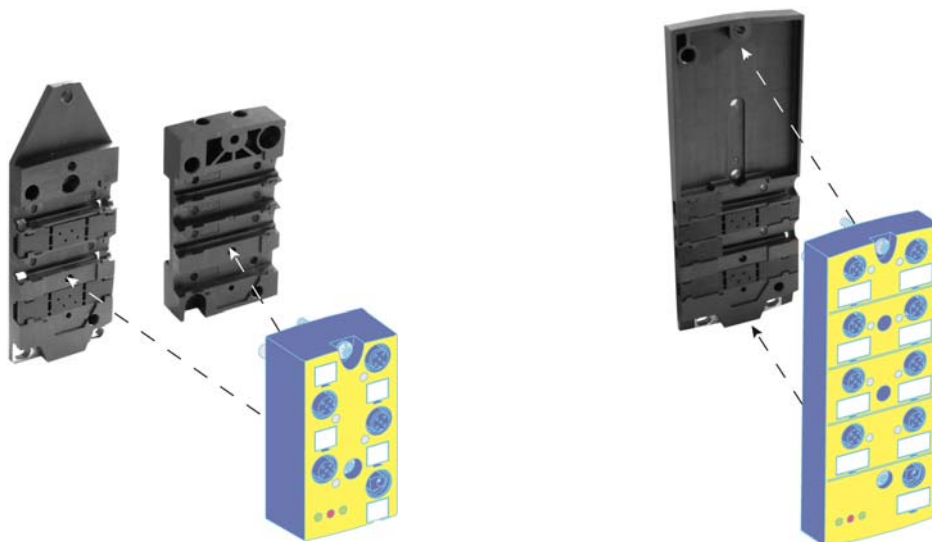
Article no. BWU2351 ASi Substructure Module (CNOMO) for 8-channel module in 60 mm-housing

Article no. BWU3516 ASi Substructure Module (CNOMO) for 8-channel module in 60 mm-housing

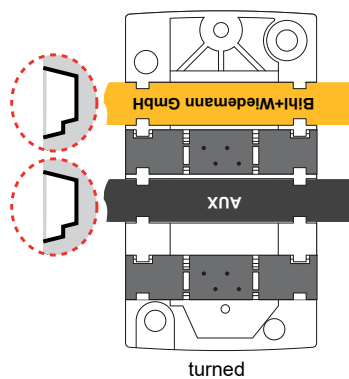
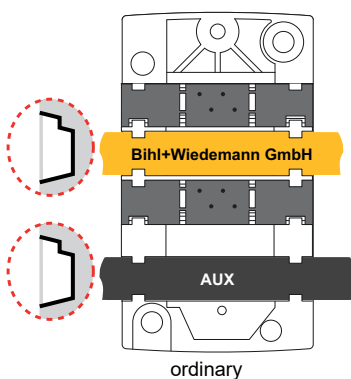
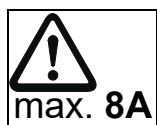
ASi substructure modules are a necessary accessory for ASi modules of the product family M12 modules in IP67.

Article no.	BWU2349	BWU2350	BWU2351	BWU3516
Cable	max. 2 yellow ASi flat cables (ASi) and 2 black ASi flat cables (AUX) simultaneously connectable to the formation of junctions mounting is possible in two directions			
Screw mounting	2-point	4-point (centerline spacing CNOMO)		
Mounting on symmetrical DIN rail 35 mm	yes	no		yes
Connection	cut clamp terminals (IDC method)			
Ambient operating temperature	-30 ... +70 °C			
Storage temperature	-30 ... +85 °C			
Protection category	IP67			
Dimensions (W / H / D in mm)	45 / 81 / 15	45 / 117 / 10	60 / 152 / 11	60 / 152 / 15
Weight	45 g	40 g	66 g	69 g

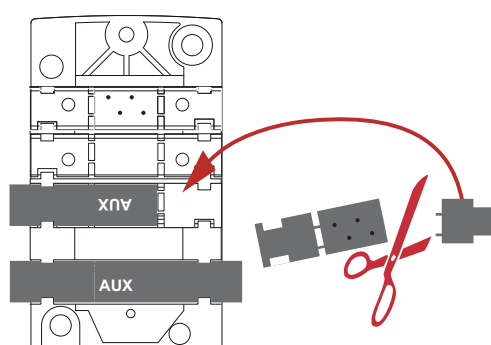
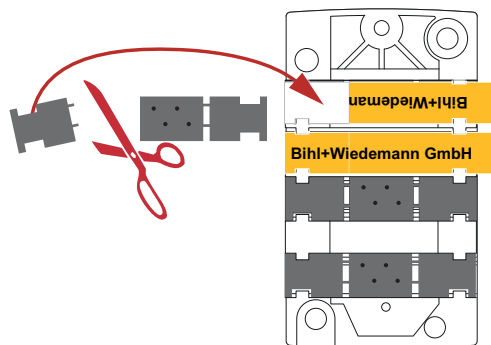
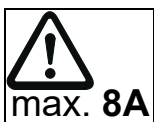
Substructure modules and appropriate modules:



Mounting according to cable direction

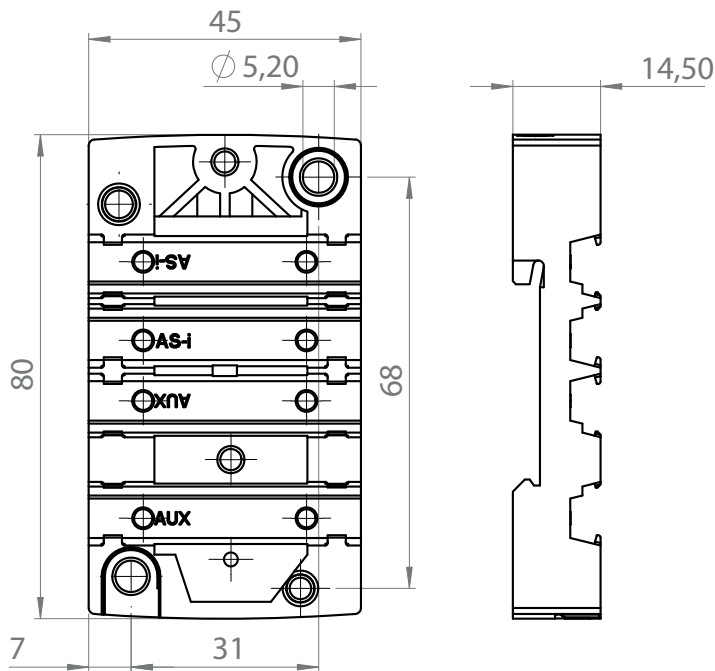


Line termination with sealing profiles / junction

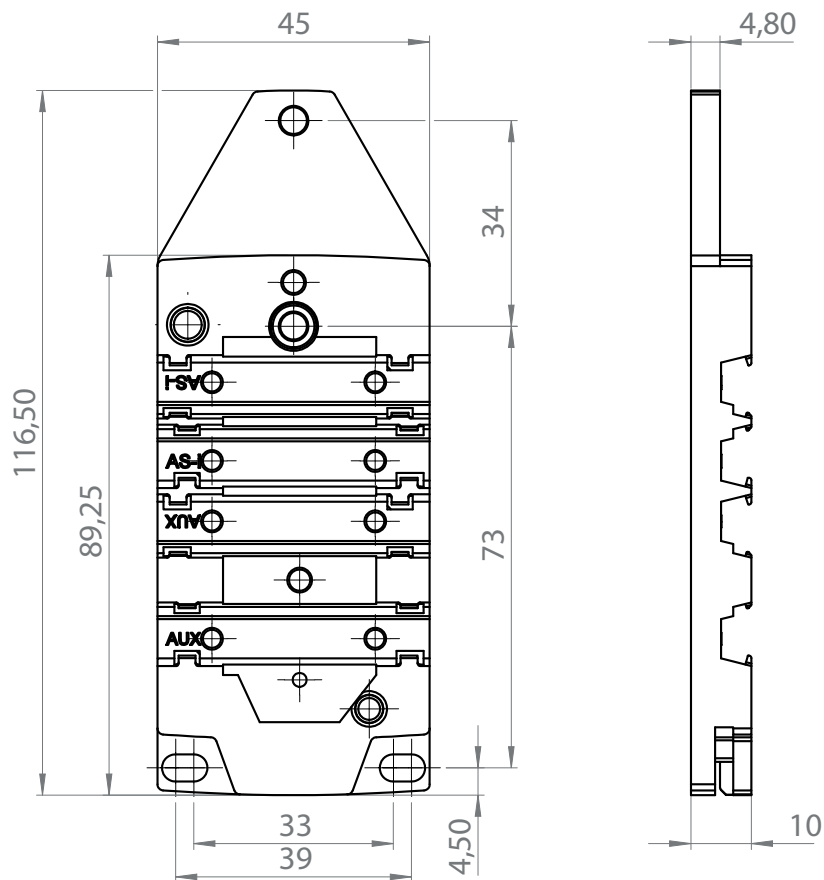


Dimensions:

- 4-channel module (BWU2349)

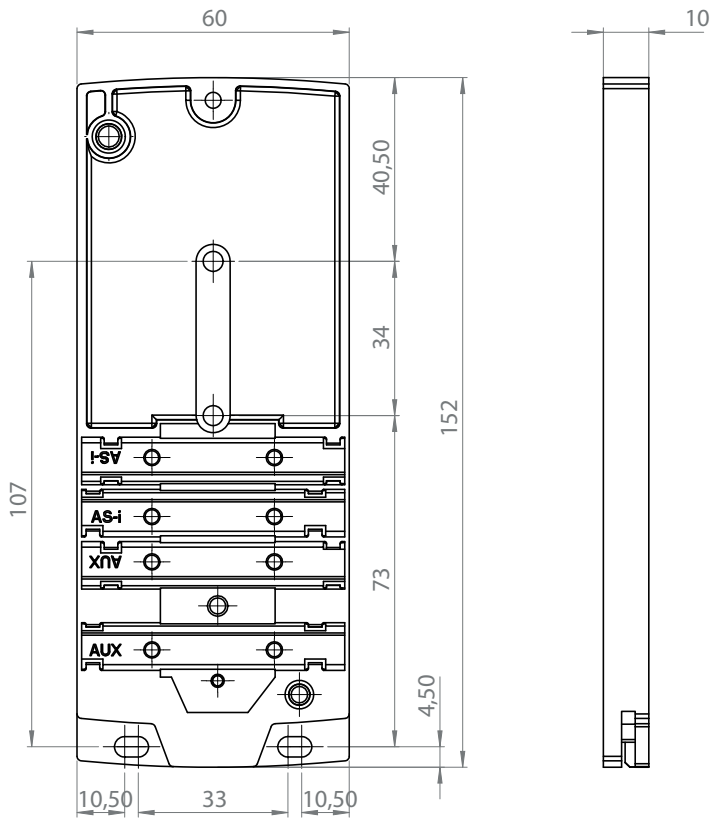


- 4-channel module (BWU2350)



ASi Substructure Module in IP67

- 8-channel module (BWU2351)



- 8-channel module (BWU3516)

