

# ASi Safety I/O Module, IP67, M12, 6-8SI/2SO/16I/16O

## ASi Safety I/O-Module

up to 8 x 2 channel safe inputs (depending on configuration),

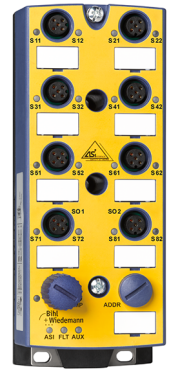
adjustable for floating contacts, OSSDs or complementary switches resp. as standard inputs and standard outputs

and

up to 2 release circuits (up to 2 x electronic safe outputs) (depending on configuration)


### Memory Plug

protection category IP67



(Figure similar)



Figure	Inputs Safety, SIL 3, cat. 4	Safety signal inputs	Outputs Safety, SIL 3, cat. 4	Input voltage (sensor supply.) <sup>(1)</sup>	Output voltage (actuator supply.) <sup>(2)</sup>	ASi connection <sup>(3)</sup>	ASi address <sup>(4)</sup>	Article no.
	6-8 x 2 channels; depending on configuration	floating contacts, OSSDs, complementary switch	up to 2 release circuits; up to 2 x electronic safe outputs; depending on configuration	out of AUX	out of AUX	ASi profile cable	depending on configuration	<b>BW3490</b>

- (1) **Input voltage (sensor supply):** inputs are supplied by ASi or by AUX (auxiliary 24 V power). If supplied by ASi, inputs shall not be connected to earth or to external potential.
- (2) **Output voltage (actuator supply):** outputs are supplied by ASi or by AUX (auxiliary 24 V power). If supplied by ASi, outputs shall not be connected to earth or to external potential
- (3) **ASi connection:** the connection to ASi as well to AUX (auxiliary 24V power) is either made via yellow resp. black ASi profile cable with piercing technology or via M12 socket (in IP20 via clamps).
- (4) **ASi address:** 1 AB address (max. 62 AB addresses/ASi network), 2 AB addresses (max. 31 modules with 2 AB addresses), Single addresses (max. 31 Single addresses/ASi network), mixed use allowed.  
For modules with two ASi nodes the second ASi node is turned off as long as the first ASi node is addressed to address "0".  
Upon request, ASi nodes are available with specific ASi address profiles.

# ASi Safety I/O Module, IP67, M12, 6-8SI/2SO/16I/16O

<b>Article no.</b>	<b>BW3490</b>
<b>Connection</b>	
ASi/AUX connection	profile cable and piercing
Periphery connection	M12
Length of connector cable	unlimited <sup>(1)</sup>
<b>ASi</b>	
Profile	safe ASi input nodes: S-7.B.0 (ID1=F) and S-7.B.1 (ID1=F) ASi diagnostic nodes: S-7.A.E (ID1=5) 4I/4O ASi nodes: S-7.E (ID1=F) ASi configuration node: S-7.A.5 (ID1=7)
Addresses	depending on configuration
Required Master profile	≥M4
Since ASi specification	3.0
Operating voltage	30 V <sub>DC</sub> (18 ... 31,6 V)
Max. current consumption	80 mA
Max. current consumption without sensor/actuator supply	80 mA
<b>AUX</b>	
Voltage	24 V <sub>DC</sub> (20 ... 30 V) (PELV) <sup>(2)</sup>
Max. current consumption	6 A max.
<b>Input</b>	
Number	6-8 x 2 channels safe inputs (SIL3, cat. 4, PLe) for floating contacts, OSSDs or complementary switches <sup>(3)</sup> up to 16 standard inputs <sup>(3)</sup>
Switching current	15 mA (T = 100µs), continuously 4 mA at 24 V
Power supply	out of AUX
Max. current for OSSD	∑ (In) < 1,5 A
OSSD test pulses	0 ... 50 Hz
OSSD test pulse width	0 ... 1 ms
input level	10 mA, R < 150 Ω
Clock outputs for floating contacts / antivalent switches	1 test pulse per clock output per second, pulse duration approx. 1 ms
<b>Output</b>	
Number	up to 2 release circuits; up to 2 x electronic safe outputs <sup>(3)</sup> up to 16 standard outputs <sup>(3)</sup>
Power supply	out of AUX
Max. output current	max. 2 A per output (Pin2/Pin4), ∑ (Out) < 4 A max. 100 mA for Diag. Out/Clock/Reset (Pin5), ∑ (Out) < 100 mA
Test pulse	if output is on: minimum interval between 2 test pulses: 250 ms, pulse width: 1 ms
<b>Display</b>	
LEDs S11/S12 ... S81/S82 (yellow)	state of safe input channels S11/S12 ... S81/S82 <sup>(3)</sup>
LED SO1, SO2 (yellow)	state of safe outputs SO1, SO2 <sup>(3)</sup>
LED ASI (green)	on: ASi voltage on flashing: ASi voltage on, but peripheral fault <sup>(4)</sup> or address 0 off: no ASi voltage
LED FLT/FAULT (red)	on: ASi address 0 or ASi node offline flashing: peripheral fault <sup>(4)</sup> off: ASi node online
LED AUX (green)	on: 24 V <sub>DC</sub> AUX off: no 24 V <sub>DC</sub> AUX

# ASi Safety I/O Module, IP67, M12, 6-8SI/2SO/16I/16O

<b>Article no.</b>	<b>BW3490</b>
LED MP (green / yellow / red)	off: no memory plug plugged in or memory plug defect green: memory plug plugged in and recognized yellow flashing: copying configuration from memory plug to unconfigured module or from module to empty memory plug red: configuration on memory plug and device different <sup>(4)</sup> or configuration on memory plug incompatible with the device
<b>Environment</b>	
Applied standards	EN 61000-2 EN 61000-3 EN 61131-2 EN 62061 EN ISO 13849-1 EN 60529
It can be used with a switched AUX cable, which is passively safe up to SIL3/PLe	yes <sup>(5)</sup>
Operating altitude	max. 2000 m
Ambient operating temperature	0 °C ... +55 °C
Storage temperature	-25 °C ... +85 °C
Housing	plastic, for screw mounting
Pollution Degree	2
Protection category	IP67 <sup>(6)</sup>
Tolerable loading referring to humidity	according to EN 61131-2
Max. tolerable shock load	30g, 11 ms, acc. EN 61131-2
Max. tolerable vibration stress	5 ... 8 Hz 50 mm <sub>pp</sub> /8 ... 500 Hz 6g, acc. EN 61131-2
Voltage of insulation	≥500 V
Weight	225 g
Dimension (W / H / D in mm)	60 / 151 / 46

(1) loop resistance ≤150 Ω

(2) The ground connection of the 24 V power supply, which supplies auxiliary power (AUX), must be grounded!

(3) siehe "Configuration options of connections of BW3490"

(4) See table "Peripheral fault indication"

(5) The module is suitable for use in paths with a passively safe-switched AUX cable, since an exclusion of errors can be assumed for the connection of the two ASi and AUX potentials.

(6) IP67 can only be achieved if all open M12 sockets are sealed with suitable protection caps (see accessories).

Article no.	Peripheral fault indication			
	Cross connection	Overload output	AUX voltage missing	configuration on memory plug and device different
<b>BW3490</b>	•	•	•	•

## UL-specifications (UL 61010)

### BW3490

External protection	An isolated source with a secondary open circuit voltage of ≤30 V <sub>DC</sub> with a 3 A maximum over current protection. Over current protection is not required when a Class 2 source is employed.
In general	UL mark does not provide UL certification for any functional safety rating or aspects of the above devices.

# ASi Safety I/O Module, IP67, M12, 6-8SI/2SO/16I/16O

## Configuration options of connections of BW3490

Connection	Safe electronic output	2 channels safe input			2 standard inputs / 2 standard output
		for floating contacts	for complementary switches	for OSSDs	
S11/S12	–	•	•	•	•/• <sup>(1)</sup>
S21/S22	–	•	•	•	•/•
S31/S32	–	•	•	•	•/•
S41/S42	–	•	•	•	•/•
S51/S52	–	•	•	•	•/•
S61/S62	–	•	•	•	•/•
SO1 <sup>(2)</sup> ; S71/S72	•	•	•	•	•/•
SO2 <sup>(2)</sup> ; S81/S82	•	•	•	•	•/•

(1) The safe output of node 1 can be configured as a standard output by setting parameter P0=0.

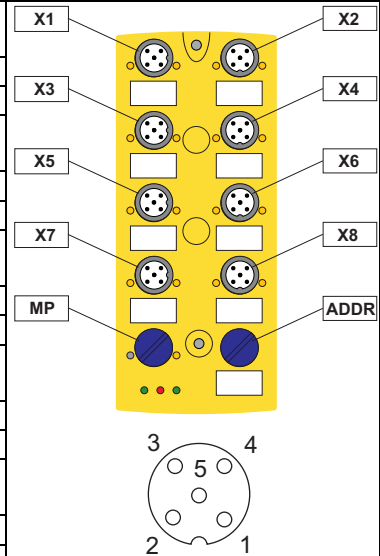
(2) If outputs are configured as inputs, the input current has to be limited by an external element at ≤100 mA

## Pin assignment

Signal name	Explanation
Sx1/Sx2	safe input x, configurable for floating contacts or OSSDs reps. as standard inputs (standard)
Ix	standard input x
Ox	standard output x
SOx	safe electronic output x
T1, T2	clock output
24V <sub>ext out</sub>	power supply, out of external voltage, positive pole (AUX, actuator supply)
0V <sub>ext out</sub>	power supply, out of external voltage, negative pole (AUX, actuator supply)
24V <sub>out of ASi</sub>	power supply, out of ASi, positive pole (sensor supply)
0V <sub>out of AS-</sub>	power supply, out of ASi, negative pole (sensor supply)
ASi+, ASi-	connection to ASi bus
n.c. (not connected)	not connected

# ASi Safety I/O Module, IP67, M12, 6-8SI/2SO/16I/16O

Connections										
Article no.	M12 connect.	Marking	Configuration	Pin1	Pin2	Pin3	Pin4	Pin5		
<b>BW3490</b>	<b>X1</b>	S11/S12	standard.in/ diag.out	O2/ 24 V <sub>ext.out</sub>	I2	0 V <sub>ext.out</sub>	I1	O1	X1	
			float. cont.	T2	S12	n.c.	S11	T1	X2	
			OSSD	24 V <sub>ext.out</sub>	S12	0 V <sub>ext.out</sub>	S11	Reset	X3	
	<b>X2</b>	S21/S22	standard.in/ diag.out	O4/ 24 V <sub>ext.out</sub>	I4	0 V <sub>ext.out</sub>	I3	O3	X4	
			float. cont.	T2	S22	n.c.	S21	T1	X5	
			OSSD	24 V <sub>ext.out</sub>	S22	0 V <sub>ext.out</sub>	S21	Reset	X6	
	<b>X3</b>	S31/S32	standard.in/ diag.out	O6/ 24 V <sub>ext.out</sub>	I6	0 V <sub>ext.out</sub>	I5	O5	X7	
			float. cont.	T2	S32	n.c.	S31	T1	X8	
			OSSD	24 V <sub>ext.out</sub>	S32	0 V <sub>ext.out</sub>	S31	Reset	MP	
	<b>X4</b>	S41/S42	standard.in/ diag.out	O8/ 24 V <sub>ext.out</sub>	I8	0 V <sub>ext.out</sub>	I7	O7	ADDR	
			float. cont.	T2	S42	n.c.	S41	T1		
			OSSD	24 V <sub>ext.out</sub>	S42	0 V <sub>ext.out</sub>	S41	Reset		
	<b>X5</b>	S51/S52	standard.in/ diag.out	O10/ 24 V <sub>ext.out</sub>	I10	0 V <sub>ext.out</sub>	I9	O9		
			float. cont.	T2	S52	n.c.	S51	T1		
			OSSD	24 V <sub>ext.out</sub>	S52	0 V <sub>ext.out</sub>	S51	Reset		
	<b>X6</b>	S61/S62	standard.in/ diag.out	O12/ 24 V <sub>ext.out</sub>	I12	0 V <sub>ext.out</sub>	I11	O11		
			float. cont.	T2	S62	n.c.	S61	T1		
			OSSD	24 V <sub>ext.out</sub>	S62	0 V <sub>ext.out</sub>	S61	Reset		
	<b>X7</b>	SO1	safety out	n.c.	SO1-	0 V <sub>ext.out</sub>	SO1+	n.c.		
			standard.in/ diag.out	O14/ 24 V <sub>ext.out</sub>	I14	0 V <sub>ext.out</sub>	I13	O13		
			float. cont.	T2	S72	n.c.	S71	T1		
	<b>X8</b>	SO2	safety out	n.c.	SO2-	0 V <sub>ext.out</sub>	SO2+	n.c.		
			standard.in/ diag.out	O16/ 24 V <sub>ext.out</sub>	I16	0 V <sub>ext.out</sub>	I15	O15		
			float. cont.	T2	S82	n.c.	S81	T1		
		<b>ADDR</b>	connection for ASi-3 addressing plug (protection cap)							
		<b>MP</b>	memory plug (protection cap)							



## Programming instructions (bit assignment of ASi standard I/O nodes)

ASi bit assignment				
Bit	D3	D2	D1	D0
<b>input</b>				
Node 1	I4	I3	I2	I1
Node 2	I8	I7	I6	I5
Node 3	I12	I11	I10	I9
Node 4	I16	I15	I14	I13
<b>output</b>				
Node 1	O4	O3	if P0=1: X8 output: SO2 if P0=0: X1 output: O2	if P0=1: X7 output: SO1 if P0=0: X1 output: O1
Node 2	O8	O7	O6	O5
Node 3	O12	O11	O10	O9
Node 4	O16	O15	O14	O13
<b>parameter bit</b>				
	P3	P2	P1	P0
Node 1	free	free	free	P0=1: SOx can be switch off via the output bit. O2 = +24V; O1 = 0V P0=0: no influence on SOx
Node 2	free	free	free	free
Node 3	free	free	free	free
Node 4	free	free	free	free

## Programming instructions (bit assignment of ASi safety input nodes 1...8)

ASi bit assignment					
Bit	D3	D2	D1	D0	
<b>input</b>					
safety input nodes	Sx2		Sx1		
	<b>output</b>				
	free	if OSSD: reset (Pin 5)	free	free	
	<b>parameter bit</b>				
	P3	P2	P1	P0	
	free	free	free	free	

## Programming instructions (bit assignment of ASi diagnostic nodes 1 and 2)

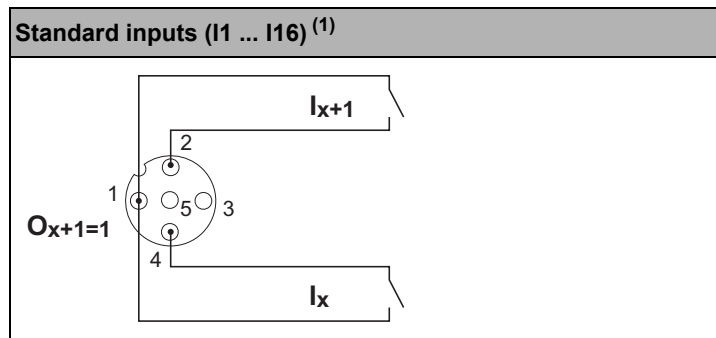
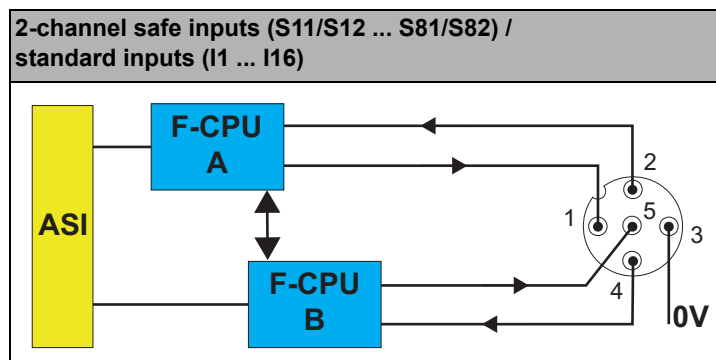
ASi bit assignment					
Bit	D3	D2	D1	D0	
<b>input</b>					
diagnostic node	I3	diagnosics (see table device colors)			
	<b>output</b>				
	free	free	free	O0	
	<b>parameter bit</b>				
	P3	P2	P1	P0	
	free	P2=1: feedback input Ix (x=1, 3) at I3 P2=0: feedback of release conditions at I3	P1=1: not used P1=0: if O0=0, the safe output SOx (n=1, 2) will be switched off, regardless of the release	free	

## Release conditions

ASi diagnostic nodes			ASi Standard I/O nodes		
			ASi node 1		
			Parameter P0 = 0	Parameter P0 = 1	
				Bit D <sub>x-1</sub> = 0	Bit D <sub>x-1</sub> = 1
ASi node 1 and 2	Parameter P1 = 1	SO <sub>x</sub> = release	SO <sub>x</sub> = off	SO <sub>x</sub> = release	
	Parameter P1 = 0	SO <sub>x</sub> = release	SO <sub>x</sub> = off	SO <sub>x</sub> = release	
	Bit O0 = 0	SO <sub>x</sub> = off	SO <sub>x</sub> = off	SO <sub>x</sub> = off	

## Diagnostics (device colors)

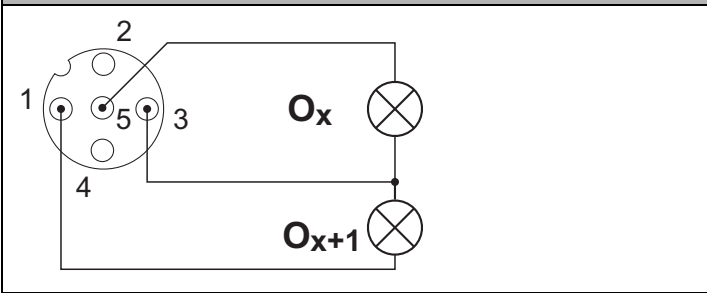
Value	Color	Description	State change	LED SO <sub>x</sub>
0	green	output on	–	on
1	green flashing	–	–	–
2	yellow	restart inhibit	auxiliary signal 2	1 Hz
3	yellow flashing	–	–	–
4	red	output off	–	off
5	red flashing	waiting for "reset of error condition" or AUX is missing	auxiliary signal 1 or connect AUX	8 Hz
6	gray	internal error, such as "fatal error"	only via "Power ON" on device	all LEDs flashing
7	green/yellow	output released, but not switched on	switching-on by setting of O0	off



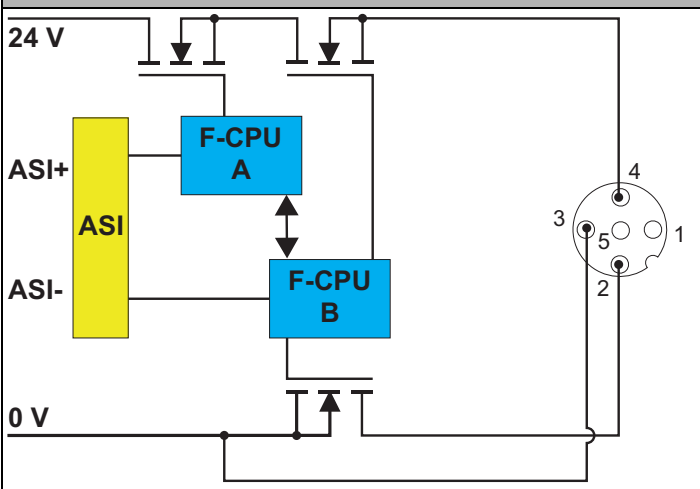
(1) O<sub>x+1</sub> must remain on so that 24V is present on Pin 1.

# ASi Safety I/O Module, IP67, M12, 6-8SI/2SO/16I/16O

## Standard outputs (O1 ... O16)



## Safe electronic outputs (SO1, SO2)















## LED status display

LED	State	Signal / Description
AUX (green)	⊖	no 24 V <sub>DC</sub> AUX
	☀	24 V <sub>DC</sub> AUX present
ASI (green)	⊖	no ASi voltage
	☀ 1 Hz	ASi voltage present, but at least one ASi node is addressed „0“ or peripheral fault
	☀	ASi voltage present
FLT (red)	⊖	ASi communication OK (at least one ASi node on line)
	☀ 1 Hz	at least one ASi node with peripheral fault
	☀	no data exchange (with at least one correctly addressed ASi node)
MP (green / yellow / red)	⊖	no memory plug plugged in or memory plug defect
	☀ 1 Hz	copying configuration from memory plug to unconfigured module or from module to empty memory plug
	☀	memory plug plugged in and recognized
	☀	configuration on memory plug and device different or configuration incompatible with the device, user intervention is required.



# ASi Safety I/O Module, IP67, M12, 6-8SI/2SO/16I/16O

LED	State	Signal / Description
S11/S12 ... S81/S82 (yellow)		safety input channel is switched off
	 1 Hz	cross-connection
	 8 Hz	internal error or double address
		safety input channel is switched on
SO1, SO2 (yellow)		safety output is switched off
	 1 Hz	restart block, waiting for the start signal to switch on the safety output again
	 8 Hz	unlockable error state; waiting for "reset of error condition signal", after receiving the signal the device turns into normal operation
		safety output is switched on
 LED on  LED flashing  LED off		

	In case all LEDs are blinking simultaneously in fast rhythm a fatal error has been detected. This message is reset by a short disconnection of the power supply (Power ON Reset).
--	---

## Accessories:

- Bihl-Wiedemann Suite - Safety Software for Configuration, Diagnostics and Programming (art. no. BW2916)
- ASi substructure module (CNOMO) for 8 channel module in 60 mm housing (art. no. BWU2351)
- Memory Plug, memory capacity 32 kByte (art. no. BW3241)
- Universal protection cap ASi-5/ASi-3 for M12 sockets, IP67 (art. no. BW4056)
- Memory plug cover (art. no. BW3155)
- Sealing profile IP67 (IDC plug), 60 mm (art. no. BW3282)
- Passive Distributor AUX to 1 x M12 cable plug, straight, 4 poles, depth 19 mm, IP67, optimized for load currents  $\geq 100$  mA (art. no. BWU4725)
- Passive Distributor AUX to 1 x M12 cable plug, straight, 4 poles, depth 19 mm, IP67, optimized for load currents  $\leq 100$  mA (art. no. BWU4760)
- ASi-5/ASi-3 Address Programming Device (art. no. BW4925)