

Product discontinuation

Dear Madam, dear Sir,

due to a change in the standard status, we inform you that we can no longer deliver the article **BW2255 ASi Power Supply, 1,8 A** since **2024/04/19**.

As a replacement, we recommend the use of the more powerful successor article **BW4223 30 V Power Supply** in combination with **BWU4275 ASi Power Supply Decoupling Unit**, which we gladly offer you.

The successor model **BW4223** is equal or superior in all technical attributes to the product of discontinuation **BW2255**.

Due to the higher performance, the dimensions of the new power supply **BW4223** are slightly larger, but the installation distance is significantly reduced thanks to the use of the latest technology.

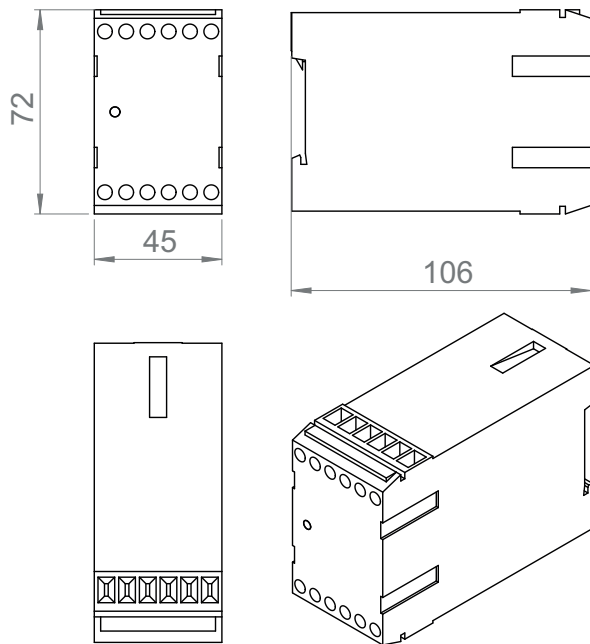
Please check whether there is enough space for the new power supply unit in the place intended for installation. Please also note the changed positions of the connection terminals.

If you are not looking for a spare part for an existing machine, but **designing new machines**, we recommend changing to the latest **gateways with integrated decoupling coils**, which enable the use of cost-effective standard 30 V power supply units without the need to install a separate power supply decoupling unit. This will not only save you costs and space in the control cabinet, but you will also benefit from the **advanced diagnostics** and additional functions such as the **integrated web server**.

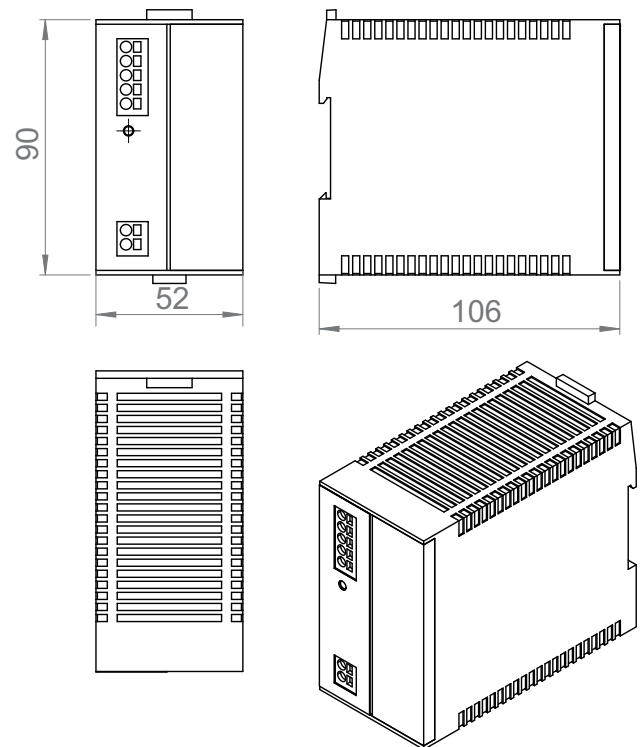
The following table shows you clearly the most important advantages of the product change:

Article No.	BW2255	BW4223
Input		
Voltage range	94 ... 265 V _{AC}	85 ... 264 V _{AC}
Inrush current limitation	–	< 20 A
Output		
Voltage range	31,2 V _{DC} ±3%	30 ... 31,2 V _{DC}
Direct current	1,8 A	3 A
Environment		
Ambient temperature	-10 °C ... +40 °C	-25 °C ... +70 °C (no condensation permitted)
Housing	for DIN rail mounting (IP20)	for DIN rail mounting (IP20)
Required mounting distance (left/right)	≥30 mm	–
Required mounting distance (over/under)	≥100 mm	≥50 mm
Dimensions (W / H / D in mm)	BW2255: 45 / 72 / 105	BW4223: 52 / 90 / 111 BWU4275: 22,5 / 99 / 92
Min. installation space incl. installation clearances	105 / 272 / 105	75 / 190 / 111

BW2255



BW4223



BWU4725

