



AS-Interface Master News (11/2023)

Modern 30 V Power Supplies and ASi-5/ASi-3 Gateways – More Diagnostics, More Space in the Control Cabinet

Discover our **modern 30 V power supplies**. When combined with our **ASi-5/ASi-3 Gateways**, they are instantly “**Industry 4.0-ready**” – no additional IO-Link interface or other hardware is required.

The power supply and the gateway form one unit, which constitutes the **central data point between field and control level**. This means that **plenty of information** can be captured, processed and forwarded **directly to IT or OT** without having to take a detour via the PLC.

Smooth ASi-5 Communication, Small Footprint

The 30 V power supplies are perfect for ASi-5 communication and parallel ASi-5/ASi-3 communication. They can additionally supply several ASi circuits and save space, since they have no decoupling coils anymore.

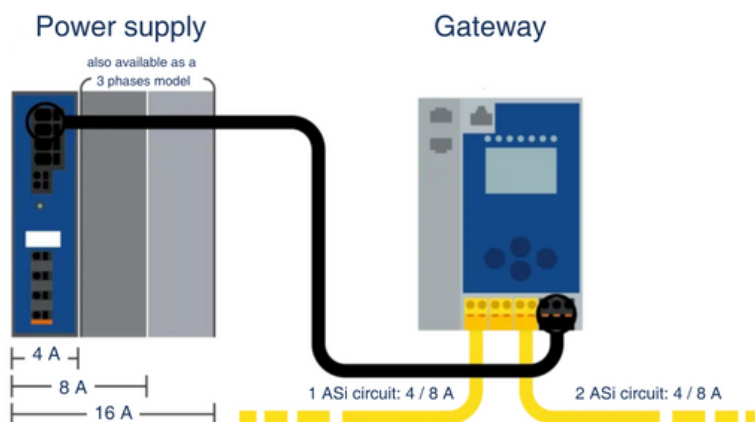


Fig.: The 30 V power supplies are significantly more compact than ASi power supplies with decoupling coils. Since they can also be connected side-by-side, they save plenty of space in the control cabinet.

Advantages of Power Supply with Bihl+Wiedemann

- **Optimum ASi-5 communication** – all 30 V power supplies have been optimized for use with ASi-5/ASi-3 gateways and extensively tested with them.

- **Reduced costs** – the 30 V power supplies are less expensive than previous ASi power supplies, mainly because the data decoupling function is now integrated in our ASi-5/ASi-3 gateways.
- **Diagnostics in the ASi-5/ASi-3 gateway** – you can conveniently read out energy-relevant data, such as current, voltage, overvoltage, earth fault, power failure, and max. current since power-on via OPC UA.
- **Future-proof for Industry 4.0** – upcoming features can be implemented directly in your existing system through simple and secure firmware updates.
- **Power supplies suitable for any application** – all 30 V power supplies are also highly compatible with ASi-3 gateways, provided that the criterion “Integrated decoupling, ASi current measurement in gateway” is given in the technical data.

Find out more about **voltage supply with Bihl+Wiedemann** by visiting our landing page.

 [More information](#)

Further questions about our products and solutions?

We would be happy [to assist you](#).



[Abmelden](#) | [unsubscribe](#) | [Lien de désinscription](#) | [Anular suscripción](#) | [Link di cancellazione](#)
[Impressum](#) | [Privacy Policy](#)