



Material Handling with AS-i and Bihl+Wiedemann

AS-i really shows its strengths in material handling. With the AS-i Motor Modules Bihl+Wiedemann provides you the *right drive solutions*. Control 24V roller drives or AC drives (with or without frequency inverter) directly through AS-i without an additional controller, saving time and money in commissioning and service.

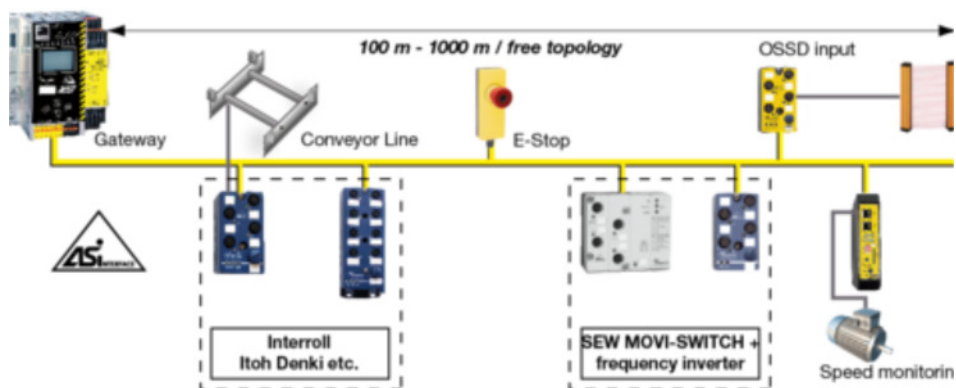


Fig. 1: Overview of the products for material handling and drive solutions from Bihl+Wiedemann.

The AS-i Motor Modules offer big savings in commissioning and service time trough

- Easy integration of the motor control into the PLC
- Control of 2 drives with only one AS-i module
- Integrated inputs for sensors
- Optimal wiring for motors and sensors
- Protection up to IP67
- Easy control of start/stop, rotation direction and speed for roller drives and frequency inverters
- Easy and fast mounting system

AS-i Motor Modules for DC Motors in detail

- Independent control of 2 roller drives
- Compatible with [Interroll](#), [Itoh Denki](#), [Rollex](#) or [other motors suitable for 24 V DC](#)
- Control of speed, start/stop and rotation direction
- Up to 4 additional inputs for sensors
- Also available with integrated UL-listed 3,5 A fuse to protect motor supply
- Optional adjustable acceleration ramp

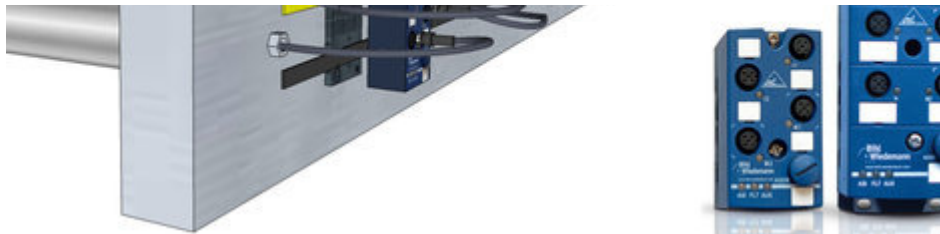


Fig. 2: Control of DC motors with the AS-i Motor Modules from Bihl+Wiedemann

AS-i Motor Modules for AC Motors in detail

- Control of one MOVIMOT frequency inverter ([BWU2038](#))
 - 2 additional inputs for sensors
 - Control of speed, start/stop, rotation direction and acceleration ramp
 - Fault LED for easy diagnostics
 - Adjustable speed set-points
- Control of up to 2 MOVI-SWITCH Motors ([BWU2437](#), [BWU2767](#))
 - Control of start/stop and rotation direction
 - Up to 3 inputs for sensors
 - Detection of motor fault input signal
 - Fault LED for easy diagnostics

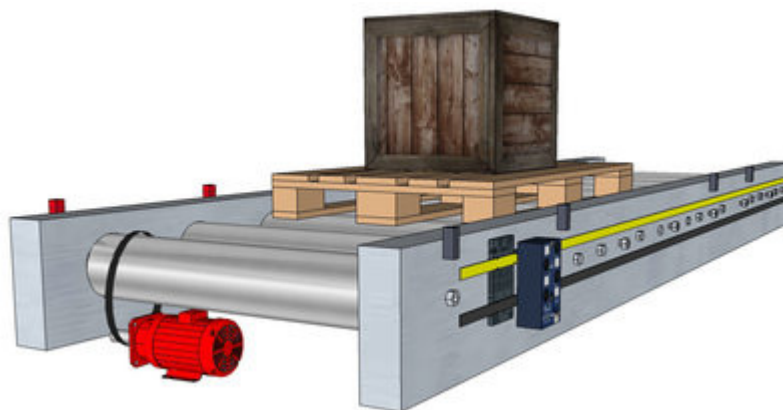


Fig. 3: Control of AC motors with the AS-i Motor Modules from Bihl+Wiedemann