

This is how you extend your AS-i line to 1,000 meters!

The combination of Advanced Repeaters and AS-i Bus Terminations means that AS-i networks can be **extended cost-effectively up to 1,000 m** for example. Apart from the independent power supplies, you only need one Master / Gateway for the complete AS-i circuit.

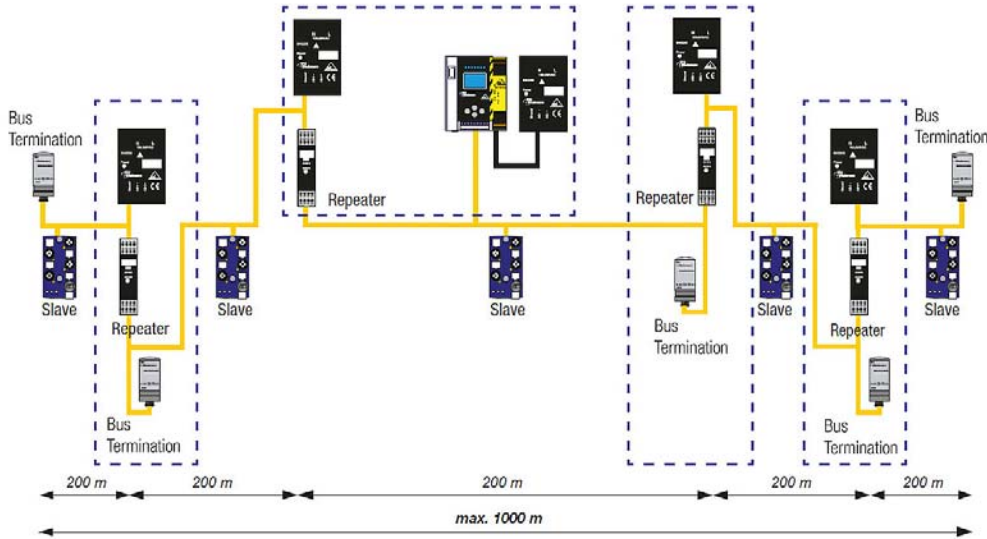


Fig.1: Example of an AS-i line extended to 1,000 m (click to enlarge)

Further options for flexible line extension

- Splitting into several segments
- Refreshing the signal using AS-i Repeaters
- Reflection signal attenuation using the AS-i Bus Termination
- AS-i Tuner and AS-i Diagnostic Tuner

Advantages of the line extension

- Only one Master / Gateway required
- Simple and cost-effective solution with an AS-i Bus Termination
- Possibility of bypassing areas distorted by EMC
- Independent power supply thanks to galvanic separation
- No configuration necessary
- Simple installation in a control cabinet or in the field

[More information](#)

Questions about our products and solutions?

We would be happy to assist you.