

## Safe contact expander

1 or 2 independent channels

4 contact sets per channel



(figure similar)

Article no.	BWU2539	BWU2548
<b>General data</b>		
Type of device	safe contacts, instantaneous	
Number of contact sets per channel	4	
Number of independent channels	2	1
<b>Input</b>		
Signal level	0-signal: < 2,4 V DC 1-signal: 18 ... 26,5 V DC	
Permissible test pulse time	max. 1,5 ms	
Rated current	60 mA per channel	
<b>Output</b>		
Connection	force-guided	
Minimal short circuit protection of output circuits (external)	6 A gG	
Max. inrush current	20 A for 20 ms	
Electrical life (switching operations)	AC1 (360 S/h) ca. 100 000	
Operate delay / delay time	< 20 ms / <20 ms	
Switching frequency	15 Hz	
Rated impulse voltage	4 kV <sup>(1)</sup>	
<b>Contact load EDM (1.51, 1.52 and 2.51, 2.52)</b>		
Switching current	max. 10 mA	
<b>Contact load contact set (1.13, 1.14, 1.23, 1.24 and 2.13, 2.14, 2.23, 2.24)</b>		
Switching voltage AC	10 ... 230 V	
Switching voltage DC	10 ... 230 V	
Insulation to input	double insulation	
Switching current	5 mA... 3 A	
<b>Contact load contact set (1.33, 1.34, 1.43, 1.44 and 2.33, 2.34, 2.43, 2.44)</b>		
Switching voltage AC	10 ... 230 V	
Switching voltage DC	10 ... 230 V	
Insulation to input	basic insulation	
Switching current	5 mA... 3 A	
Total current (per channel)	12A (see "Total current through all the contact sets of a channel:")	
Usage category (acc. EN 60347-4-1 / EN 60947-5-1)	AC1: 230 V/3 A (ca. 150 x 10 <sup>3</sup> cycles) AC 15: 230 V/3 A (ca. 80 x 10 <sup>3</sup> cycles) DC 1: 24 V/3 A (ca. 500 x 10 <sup>3</sup> cycles) DC 13: 24 V/3 A/0,1 Hz (ca. 50 x 10 <sup>3</sup> cycles)	
B <sub>10d</sub> (AC15)	1,96 x 10 <sup>6</sup> cycles	
B <sub>10d</sub> (DC13)	780 x 10 <sup>3</sup> cycles	

Article no.	BWU2539	BWU2548
<b>LED displays</b>		
LED CH 1 (green)	safe input 1	
LED CH 2 (green)	safe input 2	–
LED EDM 1 (green)	EDM channel 1	
LED EDM 2 (green)	EDM channel 2	–
<b>Environment</b>		
It can be used with a switched AUX cable, which is passively safe up to SIL3/PLe	ja <sup>(2)</sup>	
Overtoltage category	III	
Degree of pollution	2	
Ambient temperature	-20 °C ... 50 °C	
Storage temperature	-40 °C ... 70 °C	
Relative humidity	not condensing	
Mechanical lifetime	approx. 10 x 10 <sup>6</sup> swi	
Protection class (EN 60529)	IP20	
Dimensions (L / W / H in mm)	99 / 22,5 / 114	

(1) Safe isolation, reinforced insulation and 6 kV between A1/A2, 51/52, 43/44, 33/34 and 23/24, 13/14.  
Outputs one below the other have basic insulation.

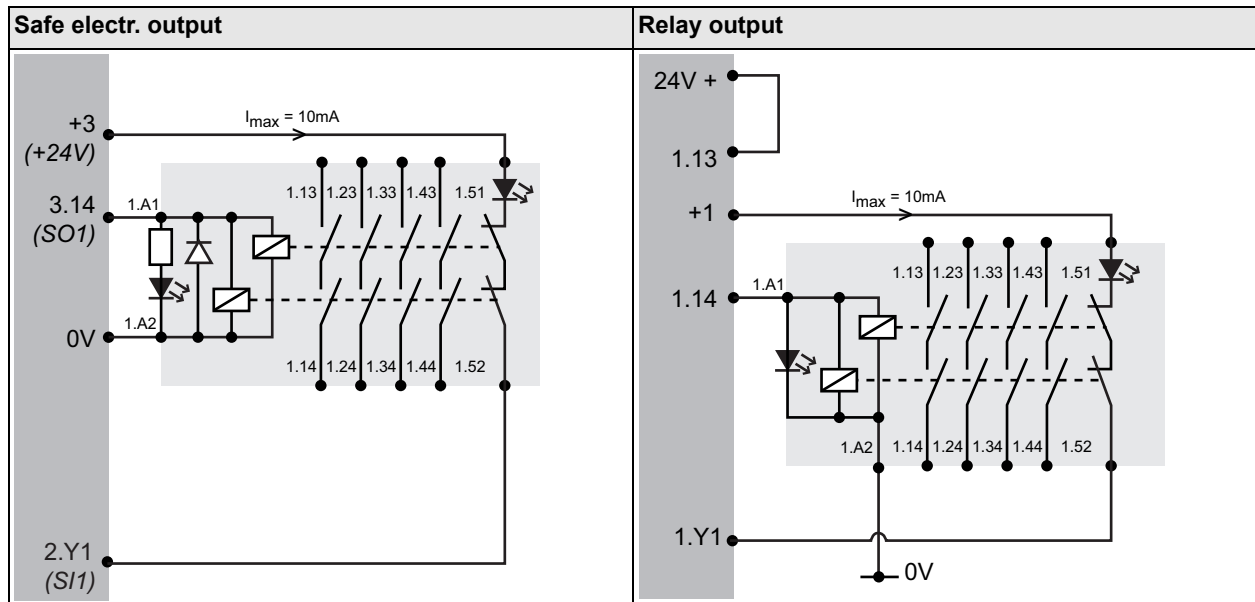
(2) The module is suitable for safely switching off passively safe paths.

## Wiring rules

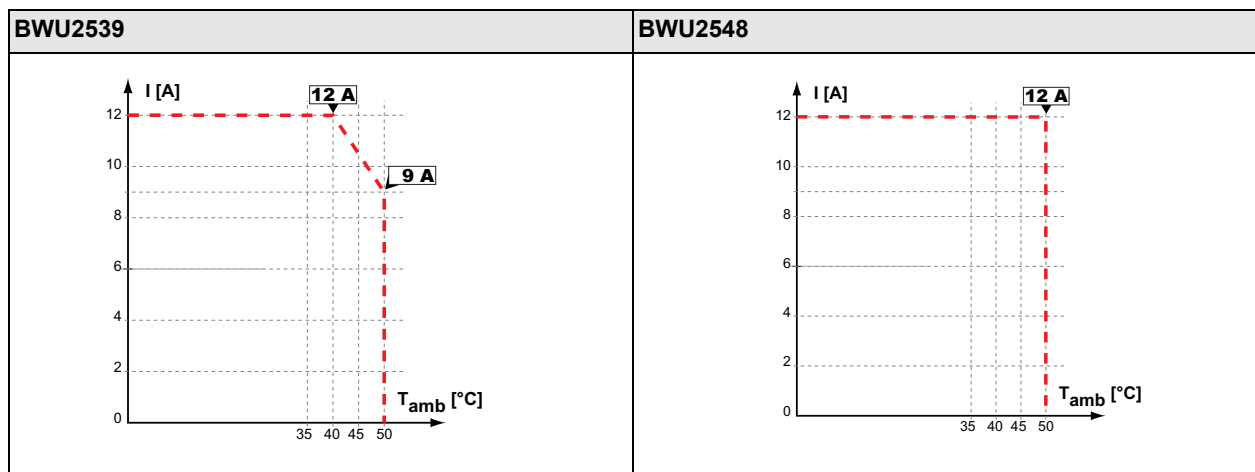
Push-in terminals, 2 / 3 / 4 poles (pitch 5 mm)	
<b>General</b>	
Nominal cross section	2.5 mm <sup>2</sup>
<b>Conductor cross section</b>	
Conductor cross section solid	0.2 ... 2.5 mm <sup>2</sup>
Conductor cross section flexible	0.2 ... 2.5 mm <sup>2</sup>
Conductor cross section flexible, with ferrule	without plastic sleeve: 0.25 ... 2.5 mm <sup>2</sup>
	with plastic sleeve: 0.25 ... 2.5 mm <sup>2</sup>
2 conductors with same cross section, stranded, with TWIN ferrules	without plastic sleeve: 0.5 ... 1.5 mm <sup>2</sup>
AWG	24 ... 14
Stripped insulation length	10 mm

UL-specifications (UL508) BWU2539, BWU2548	
External protection	An isolated source with a secondary open circuit voltage of $\leq 30 V_{DC}$ with a 3 A maximum over current protection. Over current protection is not required when a Class 2 source is employed.
In general	UL mark does not provide UL certification for any functional safety rating or aspects of the above devices.

## Connection examples:

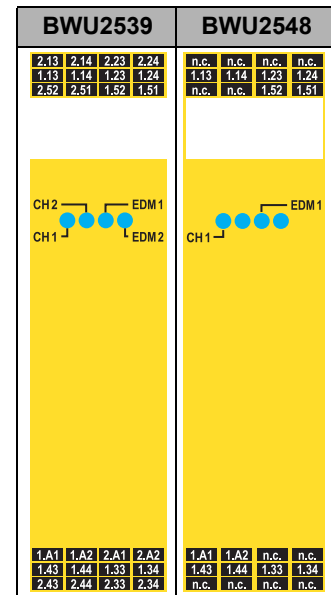
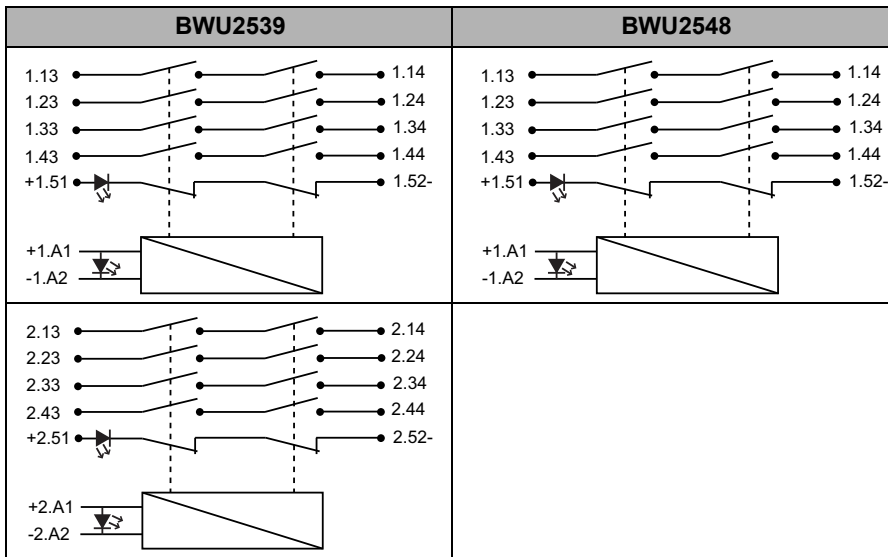


## Total current through all the contact sets of a channel:



BWU2539	BWU2548
output channel 1.1: terminals 1.13, 1.14 output channel 1.2: terminals 1.23, 1.24 output channel 1.3: terminals 1.33, 1.34 output channel 1.4: terminals 1.43, 1.44	
output channel 2.1: terminals 2.13, 2.14 output channel 2.2: terminals 2.23, 2.24 output channel 2.3: terminals 2.33, 2.34 output channel 2.4: terminals 2.43, 2.44	—
EDM (feedback circuit) channel 1: terminals 1.51, 1.52	
EDM (feedback circuit) channel 2: terminals 2.51, 2.52	—
channel 1 working contacts 1.A1, 1.A2	
channel 2 working contacts 2.A1, 2.A2	—

# Safe contact expander



## Note

To achieve passive safety, the device must be installed in a switching cabinet with protection class IP54.