

## Passive Distributor AUX

### Connections for 2 x AUX profile cables

- to M12 power cable socket, L-coded



(figure similar)

Figure	Type	Flat design, montage in cable duct possible <sup>(1)</sup>	Internal fuse <sup>(2)</sup>	Profile cable connection	Connection <sup>(3)</sup>	Round cable <sup>(4)</sup>	Special function	Protection category	Article no.
	IP67, 25 mm deep	yes, 25 mm deep	no	2 x AUX (galvanically separated)	1 x M12 power cable socket, straight, L-coded, 4 poles	2 m	–	IP67	<b>BWU4900</b>

**(1) Flat design, installation in cable duct possible**

Modules with a flat housing design and with cables which exit the sides make these ideal for installation in cable ducts, cable channels, cable troughs, cable rails or cable trays. Please note the respective housing depth for your particular installation.

**(2) Internal fuse**

**1 A, self-resetting:** The internal protection is realized via self-resetting 1 A fuses for AUX. At each connection ≤1 A are available.

**4 A slow-blow fuse:** The internal protection is realized via 4 A slow-blow fuses for AUX U<sub>S</sub> and AUX U<sub>P</sub>. At each connection ≤4 A are available.

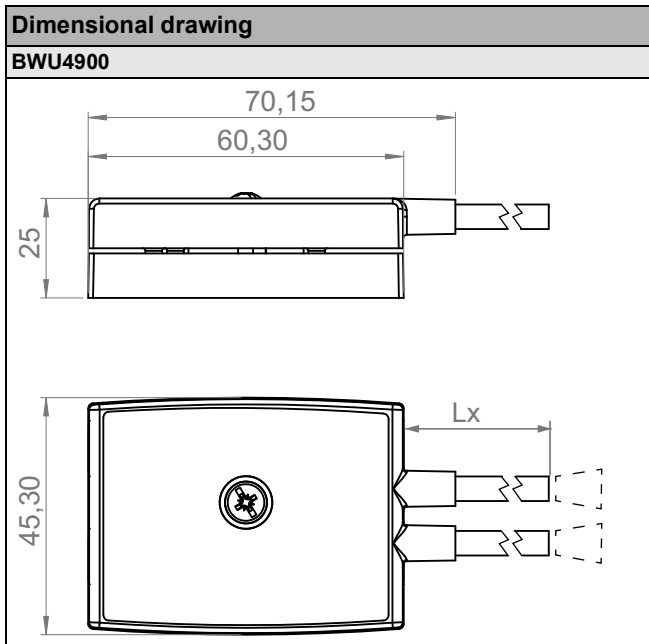
**8 A slow-blow fuse:** The internal protection is realized via 8 A slow-blow fuses for AUX. At each connection ≤8 A are available.

**(3) Connection:** further connection options are available on request.

**(4) Cable:** other cable lengths are available on request.

Article No.	BWU4900
<b>Connection</b>	
Profile cable connection	2 x AUX (galvanically separated) profile cable and piercing technology
Connection	1 x M12 power cable socket, straight, L coded, 4 poles
Round cable	2 m max. allowed tensile strain 10 N
Operating voltage	AUX1: 48 V <sub>DC</sub> (33 ... 52 V <sub>DC</sub> ) PELV <sup>(1)</sup> AUX2: 48 V <sub>DC</sub> (33 ... 52 V <sub>DC</sub> ) PELV <sup>(1)</sup>
Operating current	AUX1 max. 1 A AUX2 max. 16 A
Internal fuse	no
<b>Environment</b>	
Applied standards	EN 60529 EN 61000-6-2 EN 61000-6-3
Operating altitude	max. 2000 m
Ambient temperature	-30 °C ... +70 °C
Storage temperature	-25 °C ... +85 °C
Housing	plastic, for screw mounting, suitable for cable ducts (depth ≥25 mm)
Pollution Degree	2
Protection category	IP67
Maximum tolerable shock and vibration stress	≤15g, T≤11 ms 10 ... 55 Hz, 0,5 mm Amplitude
Insulation voltage	≥500 V
Weight	75 g
Dimensions (W / H / D) in mm	60 / 45 / 25

	<b>Notice</b>
	<p>48 V<sub>DC</sub> <b>must not</b> be connected to:                  device with 24 V<sub>DC</sub> operating voltage (see data sheet of the manufacturer)                  the ASi connection of the device                  the ASi gateway</p>



Connections: M12 power cable socket, L-coded					
Article No.	M12 connection	Pin1	Pin2	Pin3	Pin4
BWU4900	X1	AUX1+	AUX2-	AUX1-	AUX2+

**Accessories:**

- Sealing profile IP67 (IDC plug), 60 mm (article no. BW3282)
- AUX 48 V profile cable, EPDM, gray, 2 wires, 2.5 mm<sup>2</sup>, 100 m (article no. BW4243)