

## Passive Distributor AUX

Connections for 2 x AUX profile cables to M12 power cable plug, straight, L-coded, 4 poles



(figure similar)



| Figure | Type             | Flat design, montage in cable duct possible <sup>(1)</sup> | Internal fuse <sup>(2)</sup> | Profile cable connection | Connection <sup>(3)</sup>                            | Round cable <sup>(4)</sup> | Special function | Protection category | Article no.    |
|--------|------------------|--|------------------------------|--------------------------|--|----------------------------|------------------|---------------------|----------------|
|        | IP67, 25 mm deep | yes, 25 mm deep  | no                           | 2 x AUX                  | 1 x M12 power cable plug, straight, L-coded, 4 poles | 1 m                        | –                | IP67                | <b>BWU4082</b> |

(1) **Flat design, installation in cable duct possible**

Modules with a flat housing design and with cables which exit the sides make these ideal for installation in cable ducts, cable channels, cable troughs, cable rails or cable trays. Please note the respective housing depth for your particular installation.

(2) **Internal fuse**

**1 A, self-resetting:** The internal protection is realized via self-resetting 1 A fuses for AUX. At each connection  $\leq 1$  A are available.

**4 A slow-blow fuse:** The internal protection is realized via 4 A slow-blow fuses for AUX  $U_S$  and AUX  $U_P$ . At each connection  $\leq 4$  A are available.

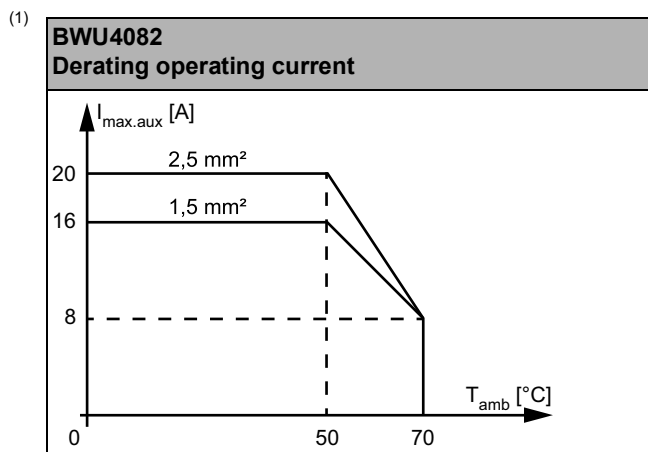
**8 A slow-blow fuse:** The internal protection is realized via 8 A slow-blow fuses for AUX. At each connection  $\leq 8$  A are available.

(3) **Connection:** further connection options are available on request.

| M12 power cable socket, straight, L-coded, 4 poles | M12 power cable plug, straight, L-coded, 4 poles |
|--|--|
|  |  |

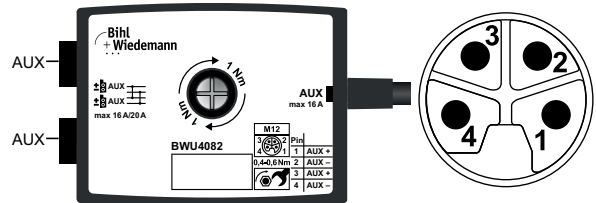
(4) **Cable:** other cable lengths are available on request.

|  |   |  |
|--|---|--|
| <b>Article No.</b>                           |   | <b>BWU4082</b>   |
| <b>Connection</b>                            |   |  |
| Profile cable connection                     | 2 x AUX<br>profile cable and piercing technology (internally bridged)   |  |
| Connection                                   | 1 x M12 power cable plug, straight, L-coded, 4 poles                    |  |
| Round cable                                  | 1 m<br>max. allowed tensile strain 10 N                                 |  |
| Operating voltage                            | 10 ... 32 V <sub>DC</sub> PELV  |  |
| Operating current                            | up to +50 °C  | profile cable and piercing:<br>≤16 A with 1,5 mm <sup>2</sup> wire section <sup>(1)</sup><br>≤20 A with 2,5 mm <sup>2</sup> wire section <sup>(1)</sup>                      |
|  |   | ≤16 A with 1,5 mm <sup>2</sup> wire section <sup>(1)</sup><br>≤16 A with 2,5 mm <sup>2</sup> wire section <sup>(1)</sup><br>for each M12 connection (Σ M12 connection ≤16 A) |
|  | at +70 °C   | profile cable and piercing:<br>≤8 A <sup>(1)</sup>   |
|  |   | ≤8 A <sup>(1)</sup><br>for each M12 connection (Σ M12 connection ≤8 A)   |
| Internal fuse                                | -   |  |
| <b>Environment</b>                           |   |  |
| Applied standards                            | EN 60529<br>EN 61000-6-2<br>EN 61000-6-3                                |  |
| Operating altitude                           | max. 2000 m   |  |
| Ambient temperature                          | -30 °C ... +70 °C <sup>(1) (2)</sup>                                    |  |
| Storage temperature                          | -25 °C ... +85 °C   |  |
| Housing                                      | plastic, for screw mounting,<br>suitable for cable ducts (depth ≥25 mm) |  |
| Pollution Degree                             | 2   |  |
| Protection category                          | IP67  |  |
| Maximum tolerable shock and vibration stress | ≤15g, T≤11 ms<br>10 ... 55 Hz, 0,5 mm Amplitude                         |  |
| Insulation voltage                           | ≥500 V  |  |
| Weight                                       | 75 g  |  |
| Dimensions (W / H / D) in mm                 | 60 / 45 / 25  |  |


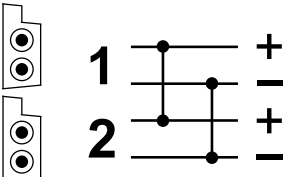


<sup>(2)</sup> Down to -25 °C with flexibly mounted cable, -30 °C only with fixed mounted cable.

| Connections: M12 power cable plug, L-coded |                |           |           |           |           |
|--|----------------|-----------|-----------|-----------|-----------|
| Article No.                                | M12 connection | Pin1 (BN) | Pin2 (WH) | Pin3 (BU) | Pin4 (BK) |
| BWU4082                                    | X1 (1)         | AUX+      | AUX-      | AUX+      | AUX-      |



(1) To use the maximum current  $I_{max}$  all 4 pins must be contacted.

| Connections: profile cable branch |   |
|-----------------------------------|---|
| Article No.                       |   |
| BWU4082                           | <br><br><b>max. 16 A/20 A</b> |

### Accessories:

- Sealing profile IP67 (IDC plug), 60 mm (article no. BW3282)
- ASi profile cable (black) for additional auxiliary power, wire section 1,5 mm<sup>2</sup> (art. no. BW1980, BW2757)
- ASi profile cable (black) for additional auxiliary power, wire section 2,5 mm<sup>2</sup> (art. no. BW3169)