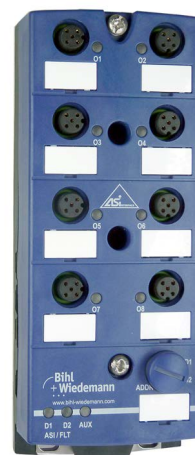



2 x 2 connectors for profile cable



(Figure similar)



Figure	Inputs digital	Outputs digital	M12 connection <sup>(1)</sup>	Input voltage (sensor supply) <sup>(2)</sup>	Output voltage (actuator supply) <sup>(3)</sup>	ASi connection <sup>(4)</sup>	ASi address <sup>(5)</sup>	Max. output current	Art. no.
	–	8 x electronic	Y	–	out of AUX	ASi profile cable	2 AB addresses	750 mA per output	BWU4404

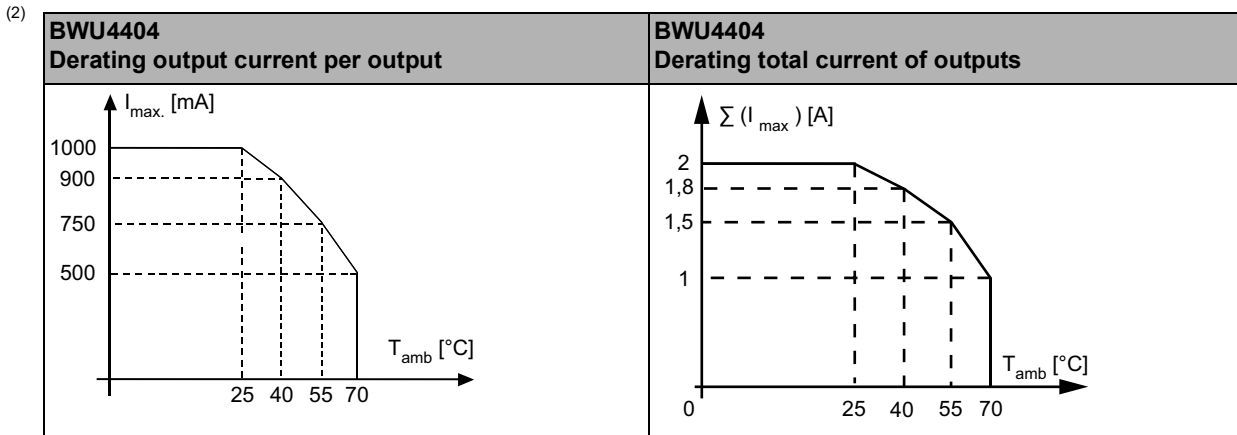
**Replacement, ASi Version 2:** single addresses (digital) are also working with the first generation ASi masters.

- (1) **M12 wiring:**  
**Single wiring:** 1 input or output per connection.  
**Y wiring:** 2 inputs or outputs per connection.  
**Mixed wiring:** 1 input and 1 output per connection.
- (2) **Input voltage (sensor supply):** inputs are supplied by ASi or by AUX (auxiliary 24 V power). If supplied by ASi, inputs shall not be connected to earth or to external potential.
- (3) **Output voltage (actuator supply):** outputs are supplied by ASi or by AUX (auxiliary 24 V power). If supplied by ASi, outputs shall not be connected to earth or to external potential.
- (4) **ASi connection:** the connection to ASi as well to AUX (auxiliary 24 V power) is made via yellow resp. black ASi profile cable with piercing technology or via M12 socket (in IP20 via clamps).
- (5) **ASi address:** AB addresses (max. 62 AB addresses/ASi network), 2 AB addresses (max. 31 modules with 2 AB addresses), Single addresses (max. 31 Single addresses/ASi network), mixed use allowed. For modules with two ASi nodes the 2nd ASi node is turned off as long as the 1st ASi node is addressed to address "0". Upon request, ASi nodes are available with specific ASi node profiles.

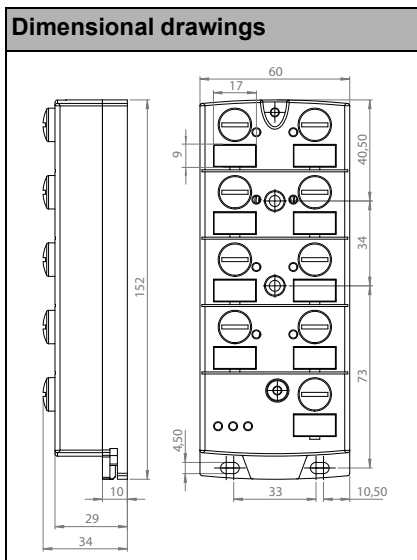
<b>Article No.</b>	<b>BWU4404</b>
<b>General data</b>	
Device type	output
<b>Connection</b>	
ASi/AUX Connection	profile cable and piercing
Periphery connection	M12, Y-wiring
Length of connector cable	unlimited <sup>(1)</sup>
<b>ASi</b>	
Profile	ASi node 1: S-7.A.7 (ID1=7 fixed), ASi node 2: S-7.A.7 (ID1=6 default)
Address	2 AB addresses
Required Master profile	≥M4
As of ASi specification	3.0
Operating voltage	30 V (18 ... 31.6 V)
Max. current consumption	60 mA
Max. current consumption without sensor/ actuator supply	60 mA

<b>Article No.</b>		<b>BWU4404</b>
<b>AUX</b>		
Operating voltage		24 V (18 ... 30 V)
Max. current consumption		2 A
<b>Output</b>		
Number		8
Power supply		out of AUX
Output		short-circuit and overload protected according to EN 61131-2
Max. Ausgangsstrom	up to +25 °C	1000 mA per output, Σ(O1 ... O4) 1000 mA + Σ(O5 ... O8) 1000 mA <sup>(2)</sup>
	at +40 °C	900 mA per output, Σ(O1 ... O4) 900 mA + Σ(O5 ... O8) 900 mA <sup>(2)</sup>
	at +55 °C	750 mA per output, Σ(O1 ... O4) 750 mA + Σ(O5 ... O8) 750 mA <sup>(2)</sup>
	at +70 °C	500 mA per output, Σ(O1 ... O4) 500 mA + Σ(O5 ... O8) 500 mA <sup>(2)</sup>
<b>Display</b>		
LED ASI/FLT1 (red/green)		green: online red: offline yellow/red flashing: address 0
LED ASI/FLT 2 (red/green)		green: online red: offline yellow/red flashing: address 0 red/green flashing: peripheral fault <sup>(3)</sup> red flashing: ASi node 2 is switched off, because ASi node 1 is offline
LED AUX (green)		on: 24 V <sub>DC</sub> AUX off: no 24 V <sub>DC</sub> AUX
LEDs O1 ... On (yellow)		state of outputs O1 ... O8
<b>Environment</b>		
Applied standards		EN 61000-6-2 EN 61000-6-3 EN 61131-2 EN 60529
It can be used with a switched AUX cable, which is passively safe up to SIL3/PLe		yes <sup>(4)</sup>
Operating altitude		max. 2000 m
Ambient temperature		-30 °C ... +55 °C (up to max. +70 °C) <sup>(2)</sup> <sup>(5)</sup>
Storage temperature		-30 °C ... +85 °C
Housing		plastic, for screw mounting
Pollution degree		2
Protection category		IP67 <sup>(6)</sup>
Tolerable loading referring to humidity		according to EN 61131-2
Max. tolerable shock load		30g, 11 ms, acc. EN 61131-2
Max. tolerable vibration stress		5 ... 8 Hz 50 mm <sub>pp</sub> /8 ... 500 Hz 6g, acc. EN 61131-2
Insulation voltage		≥500 V
Weight		200 g
Dimensions (W / H / D) in mm		60 / 151 / 31

(1) Loop resistance ≤150 Ω



- (3) See table "Peripheral fault indication"
- (4) The module is suitable for use in paths with a passively safe-switched AUX cable, since an exclusion of errors can be assumed for the connection of the two ASi and AUX potentials.
- (5) Maximum ambient operating temperature +55 °C according UL certificate for the use in the USA and Canada
- (6) Protection category IP67 can only be achieved if all open connections are sealed with suitable end caps fulfilling the same protection category.



UL-specifications (UL508) BWU4404	
External protection	An isolated source with a secondary open circuit voltage of $\leq 30 V_{DC}$ with a 3 A maximum over current protection. Over current protection is not required when a Class 2 source is employed.
In general	UL mark does not provide UL certification for any functional safety rating or aspects of the above devices.

Article no.	Peripheral fault indication		
	Overload sensor supply	Output short circuited	AUX voltage missing
BWU4404	•	•	•

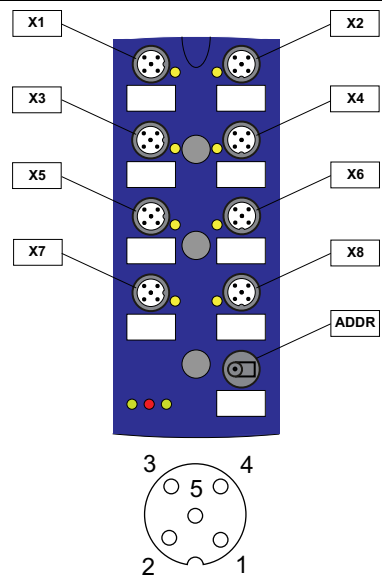
Programming Bit	ASi bit assignment			
	D3	D2	D1	D0
	output			
BWU4404	ASi node 1: O4	ASi node 1: O3	ASi node 1: O2	ASi node 1: O1
	ASi node 2: O8	ASi node 2: O7	ASi node 2: O6	ASi node 2: O5

Programming	Parameter bits			
	P3	P2	P1	P0
Bit				
BWU4404	not used	0= on / 1= off (synchronous I/O mode)	-	not used, Watchdog always on

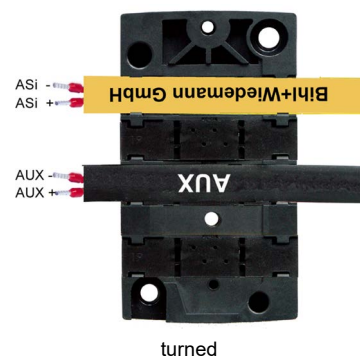
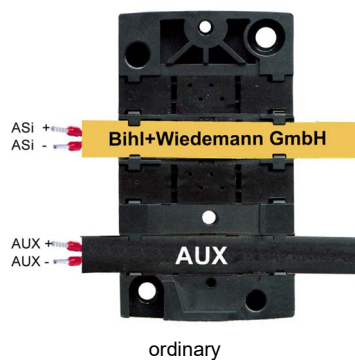
## Pin assignment

Signal name	Explanation
Ix	digital input x
Ox	digital output x
24V <sub>ext out</sub>	power supply, out of external voltage, positive pole (AUX, actuator supply)
0V <sub>ext out</sub>	power supply, out of external voltage, negative pole (AUX, actuator supply)
24V <sub>out of ASi</sub>	power supply, out of ASi, positive pole (sensor supply)
0V <sub>out of ASi</sub>	power supply, out of ASi, negative pole (sensor supply)
ASi +, ASi -	connection to ASi bus
n.c. (not connected)	not connected

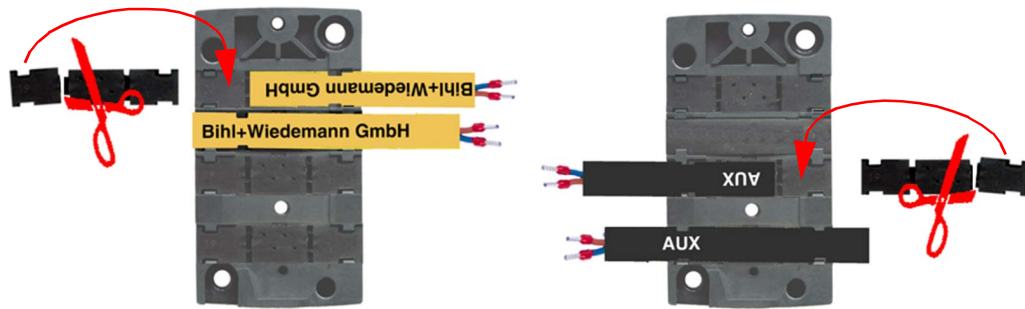
Connections								
Article no.	M12 connection	Marking	Pin1	Pin2	Pin3	Pin4	Pin5	
BWU4404	X1	O1	0 V <sub>ext out</sub>	O2	0 V <sub>ext out</sub>	O1	n.c.	
	X2	O2	0 V <sub>ext out</sub>	n.c.	0 V <sub>ext out</sub>	O2	n.c.	
	X3	O3	0 V <sub>ext out</sub>	O4	0 V <sub>ext out</sub>	O3	n.c.	
	X4	O4	0 V <sub>ext out</sub>	n.c.	0 V <sub>ext out</sub>	O4	n.c.	
	X5	O5	0 V <sub>ext out</sub>	O6	0 V <sub>ext out</sub>	O5	n.c.	
	X6	O6	0 V <sub>ext out</sub>	n.c.	0 V <sub>ext out</sub>	O6	n.c.	
	X7	O7	0 V <sub>ext out</sub>	O8	0 V <sub>ext out</sub>	O7	n.c.	
	X8	O8	0 V <sub>ext out</sub>	n.c.	0 V <sub>ext out</sub>	O8	n.c.	
	ADDR (protection cap)	connection for ASi-3 addressing plug						



## Mounting according to cable direction



## Line termination with sealing profiles / as junction



### Accessories:

- ASi substructure module (CNOMO) for 8 channel module in 60 mm housing (art. no. BWU2351)
- Universal protection cap ASi-5/ASi-3 for M12 sockets, IP67 (art. no. BW4056)
- Sealing profile IP67 (IDC plug), 60 mm (art. no. BW3282)
- Sealing profile IP67 (IDC plug), 45 mm (art. no. BW3283)
- ASi-5/ASi-3 Address Programming Device (art. no. BW4925)