

## Brake chopper for 24 V motorized rollers

tolerated overvoltage up to 35 V



(figure similar)

| Figure | Type          | Flat design, montage in cable duct possible <sup>(1)</sup> | Internal fuse  | Profile cable connection | Connection <sup>(2)</sup> | Round cable <sup>(3)</sup> | Special function                         | Protection category | Article no.    |
|--------|---------------|--|--|--------------------------|---------------------------|----------------------------|--|---------------------|----------------|
|        | Brake chopper | yes, 19 mm deep  | thermal fuse (overheating protection through clocking) | 1 x AUX                  | –                         | –                          | Brake chopper for 24 V motorized rollers | IP67                | <b>BWU4915</b> |

- (1) **Flat design, installation in cable duct possible**  
 Modules with a flat housing design and with cables which exit the sides make these ideal for installation in cable ducts, cable channels, cable troughs, cable rails or cable trays. Please note the respective housing depth for your particular installation.
- (2) **Connection:** further connection options are available on request.
- (3) **Cable:** other cable lengths are available on request.

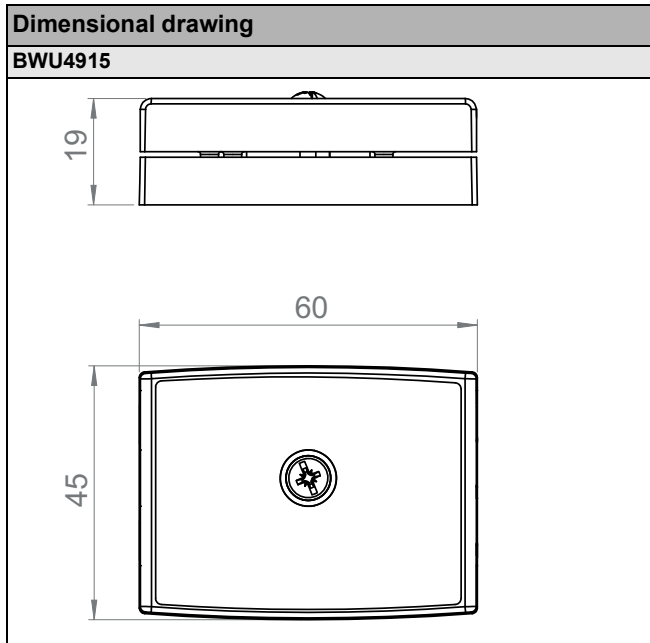
| Article No.   | BWU4915  |
|---|--|
| <b>Connection</b>                                   |  |
| Profile cable connection                            | 1 x AUX<br>profile cable and piercing technology   |
| Connection  | –  |
| Round cable   | –  |
| <b>Brake Chopper</b>                                |  |
| Max. Power  | 122,5 W at 35 V peak power (load resistor 10 Ω)<br>The exact power depends on the voltage <sup>(1)</sup> |
| Nominal switch-on threshold                         | 27 V <sup>(2)</sup>  |
| Operating voltage                                   | 24 V <sub>DC</sub> (10 ... 26,4 V <sub>DC</sub> ) PELV   |
| Max. tolerated overvoltage due to retroaction (AUX) | 35 V   |
| Operating current                                   | 20 mA <sup>(1)</sup>   |
| Internal fuse                                       | thermal fuse (overheating protection through clocking) <sup>(3)</sup>                                    |
| <b>Visualization</b>                                |  |
| LED AUX (green)                                     | on: AUX voltage on profile cable O.K.  |
| LED CHOPPER (yellow)                                | on: brake chopper active   |
| <b>Environment</b>                                  |  |
| Applied standards                                   | EN 60529<br>EN 61000-6-2<br>EN 61000-6-3   |
| Operating altitude                                  | max. 2000 m  |
| Ambient temperature                                 | -30 °C ... +55 °C <sup>(4)</sup>   |
| Storage temperature                                 | -25 °C ... +85 °C  |
| Housing   | plastic, for screw mounting,<br>suitable for cable ducts (depth ≥19 mm)                                  |
| Pollution Degree                                    | 2  |
| Protection category                                 | IP67   |
| Maximum tolerable shock and vibration stress        | ≤15g, T≤11 ms<br>10 ... 55 Hz, 0,5 mm Amplitude  |
| Insulation voltage                                  | ≥500 V   |
| Weight  | 58 g   |
| Dimensions (W / H / D) in mm                        | 60 / 45 / 19   |

(1) The maximum convertible braking energy can be increased by connecting further BWU4915s in parallel.

|  |  |
|--|--|
|  | <b>Note</b>  |
|  | The nominal voltage in regular continuous operation must be below the switch-on threshold. |

(3) Duty cycle approx. 2 %, period duration approx. 0.5 s

(4) Down to -25 °C with flexibly mounted cable, -30 °C only with fixed mounted cable.



| Connections |            |  |
|-------------|------------|--|
| Article No. | connection |  |
| BWU4915     | AUX        |  |

**Accessories:**

- Sealing profile IP67 (IDC plug), 60 mm (article no. BW3282)
- ASi profile cable (black) for additional auxiliary power, wire section 1,5 mm<sup>2</sup> (art. no. BW1980, BW2757)
- ASi profile cable (black) for additional auxiliary power, wire section 2,5 mm<sup>2</sup> (art. no. BW3169)